

PUGMILL/MIXER

Instruction Manual

NVS-07

English

P.2

German

P.16

French

P.30

Declaration of Conformity

P.46

NVS-07

English

Attention After carefully reading this manual, be sure to store it in a safe and convenient place for easy reference.

Before using this unit, please read through the instruction manual carefully and follow it for proper use.

- Not following the instruction manual properly, could result in injury.
- Have three or more people unpack this unit (total weight is 170 kg).
- When unpacking, lifting or moving, be careful not to drop the unit.
- Keep the instruction manual where all users can read it at any time.
- Designate a person to be in charge of managing this pugmill. Ensure that only people who have read and understand the manual are permitted to operate it.

Unit description/Function description

Unit description

The NVS-07, deairing pugmill / mixer, is designed to mix and pug clay to make it suitable for use.

Function description

- Both wet and dry clay components can be mixed and pugged in this unit.
- The auger screw speed can be adjusted to accommodate various consistencies of clay.
Also, mixing/pugging and extruding can be performed by changing the direction of the auger screw.
- The main barrel of this pugmill/ mixer is stainless steel and is resistant to corrosion. Porcelain clay can be used in this unit.
- The vacuum pump is used to de-air the clay while mixing and pugging.
- A safety limit switch sensor shuts off the pugmill when the hopper cover is open.
- Both the nozzle and the auger screw are removeable for easy cleaning.

INDEX

Safety precautions.....	4
Specification - Parts List	6
Items included • Installation and preparation	7
Before use • Principle for recycling of clay • Operation	8
Preparation for use • Operation procedure.....	9 ~ 12
Display and description of indicators • Troubleshooting	13
Maintenance	14
Disposal method	15

Safety Precautions

Be sure to observe

Before installing, operating or servicing this unit, please read the instruction manual carefully and follow it for proper use. Start using only after you have read about the equipment's functions, safety information and precautions.

This instruction manual provides two grades of safety warnings: "Warning" and "Caution". Each of them is an important description related to safety. Be sure to follow them.



Warning

This indicates the possibility of severe injury or even death, and fire if a user disregards the instruction and operates the unit improperly.



Caution

This indicates the possibility of injury or damage if a user operates the unit improperly. However, depending on the circumstances, there is still the possibility that severe injury may result.

We categorize the type of those precautions using the following symbols throughout the manual.



A prohibited action you must not do.




A reminder to pay close attention.



An action you must always do.

Warning

Malfunctions

 **In the event of any malfunction, stop using the unit immediately.**

When a malfunction occurs, unplug the power cord. Failure to follow this could result in fire and/or injury due to electric shock and/or leakage.

- Smoke and/or abnormal smell/sound is detected.
- The unit has become deformed and/or parts are damaged.
- The auger screw continues to run even when the hopper cover is opened.

Installation

 **Install the unit on a level surface.**

Installing the unit on an uneven or sloped surface could cause the unit to fall, which may result in injury.

 **Avoid installing the unit in places exposed to rain, standing water and/or high humidity.**

Insulation failure could result in fire and/or injury due to electric shock and/or leakage.

Power Cord and Plug

 **Do not use the unit if the power cord or plug is damaged.**

If the power cord or plug is damaged, or does not fit securely in the outlet, do not use the unit. Failure to follow this could result in fire due to electric shock and/or short circuit.

* If the power cord is damaged, please contact your dealer or our office.

 **Do not overload the electric circuit.**

If you share the outlet with other electric units, an overload could result in fire.

 **Do not use the unit a voltage other than AC 230V.**

Doing so could result in electric shock and/or fire.

 **Do not take any actions that could result in damage to the power cord.**

Do not pull, break, fabricate, and/or forcibly bend the power cord. Do not move it close to any heating source, or place heavy materials on it. Failure to follow this could result in electric shock and/or fire.

⚠ Warning

Power cord and plug

! Periodically remove dust on the power cord.

Accumulated dust could result in insulation failure due to moisture, which could result in fire.

! Ground the unit.

Be sure to ground the unit to avoid electric shock.

! Do not touch switches and plugs with wet hands.

Operating switches, plugging and unplugging the power cord with wet hands could result in electric shock. If there is any clay on them, remove it.

Foreign materials

! Do not put metals and/or other flammable materials inside the unit.

Doing so could result in electric shock and/or fire.

Operation

! Do not modify the unit. Do not use it for purposes other than pottery making.

Do not use a modified unit. Do not use the unit for other purposes than mixing or pugging pottery clay. Failure to follow this could result in malfunction and/or accident.

! User limitation

In facilities where multiple people use this unit, designate a person to supervise the pugmill's use. Never allow anyone who is unfamiliar with this unit to operate it. Everyone who has access to use the pug mill should have a complete understanding of the instruction manual.

! Do not put hands into the clay extruding slot.

Never put fingers or hands into the nozzle end of the pugmill. Failure to do so could cause fingers and hands to get caught, and result in injury.

⚠ CAUTION

Installation

! This unit is heavy. Pay attention when handling.

Do not attempt to unpack this unit by yourself. Have three or more people help unpack and/or move this unit. Excess strain could cause injury. This unit is heavy, dropping it could result in injury.

Operation

! Pay attention to loose fitting clothing, accessories, and/or long hair.

Before operating this unit, be sure to remove or secure dangling items such as loose clothing, jewelry, scarves, etc. Long hair should be tied in back as well. Failure to do so may result in getting caught in moving parts during operation.

! Be careful when handling the hopper cover.

Be careful not to get fingers, hands and/or arms caught in the hopper cover. Securely hold the handle, and slowly open/close the cover. Do not remove your hand from the handle while opening/closing.

! When the unit is not being used, open up the vacuum pressure relief valve.

When the unit is not in use or when the vacuum is not needed during the mixing process, be sure to open the pressure relief valve. If any gases are generated during the processes of mixing and pugging, pressure can build up inside the hopper.

Power cord and plug

! Do not obstruct access to the power cord or plug.

Failure to follow this could prevent you from easily unplugging the power cord or plug in an emergency.

! When the unit is not being used, turn the power OFF.

When the unit is not being used for an extended period of time, or there is a possibility of lightning, turn OFF the power as well as unplugging the unit from the outlet.

Maintenance

! Turn the power OFF and unplug the unit before inspection or other relevant circumstances.

Before cleaning, inspecting, adjusting or other replacement procedures, turn OFF the power as well as unplug the unit from the outlet.

! Never pour water direct on the unit to clean.

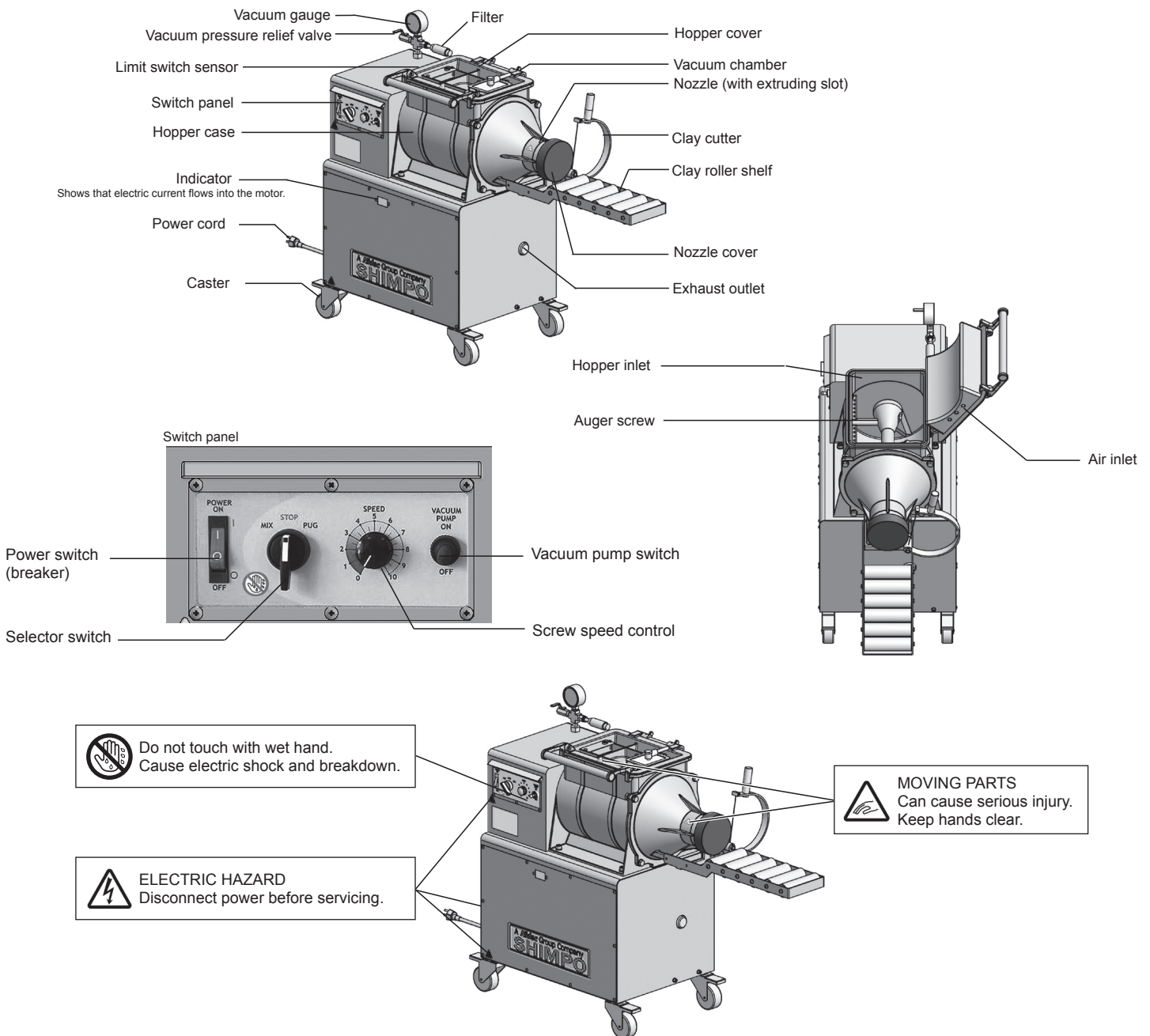
Never pour water directly on the pugmill to clean it. Doing so could result in electric leakage and/or malfunction. To clean, wipe off the unit with a damp sponge, towel, etc.

* Only the auger screw and nozzle can be cleaned directly with water after being fully disassembled.

Specification

Model	NVS-07
Power	AC230V ~ /50Hz
Motor capacity	750 W
Vacuum pump	250 W
Ambient temperature	+10°C to 40°C
Ambient humidity	85% or less (no condensation)
Altitude	1000 m or less
External dimensions	1200 mm (including the supporting plate) x 420 mm x 890 mm
Weight	140 kg
Diameter of the extruding slot	Φ90 mm
Supply of clay	approx. 25 kg
Extruding capacity	330 kg/h (pugging only)

Parts List



Items included

Item	Quantity	Remarks
Main unit	1	
Supporting plate	1	
Front cover	1	
Double-end wrench	2	17 x 13; used to tighten or loosen the nozzle and screws
Allen wrench	1	M2.5; used to replace stainless steel wire for clay cutter
Instruction manual	1	
Warranty card	1	

Installation and preparation

- Since the NVS-07 is very heavy, exercise sufficient care when unpacking so the unit does not drop.

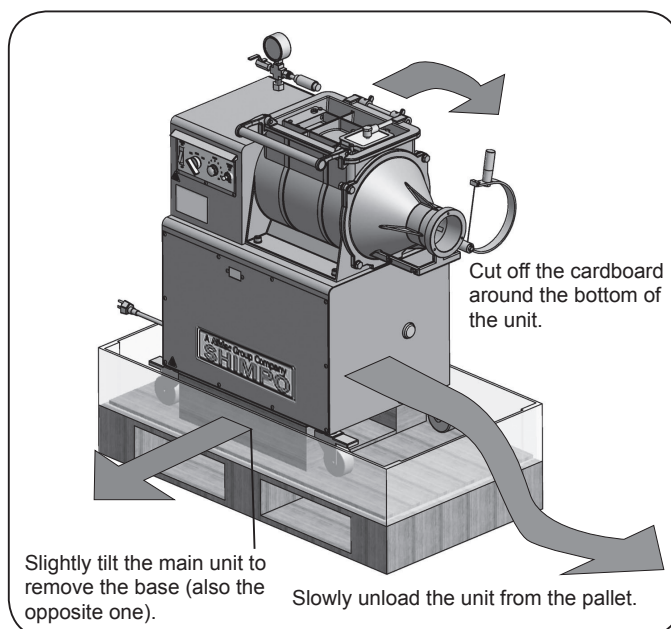


Danger

The unit weight is approximately 140 kg.
Have three or more people unpack this unit.

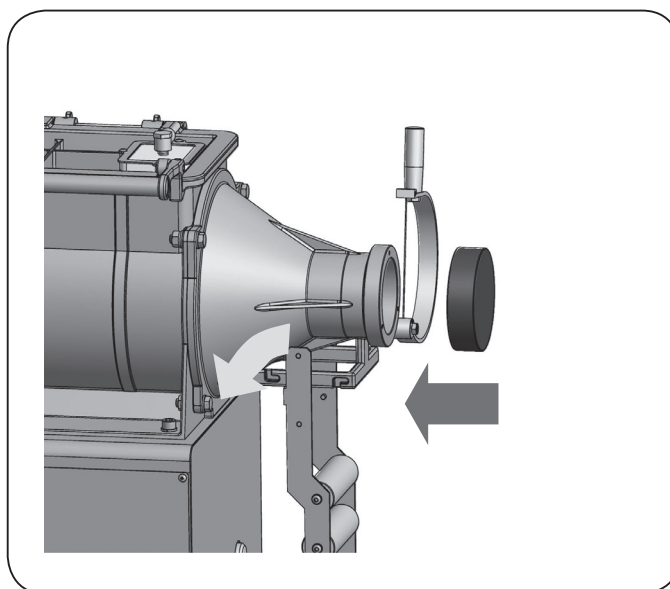
(Unpacking procedure)

- Remove the cardboards and cushioning materials around the unit.
- Cut off the cardboard around the bottom of the unit.
- Slightly tilt the unit to remove two bases that support the unit.
- Unlock all four wheels.
- Slowly push the unit forward while holding it securely. Then unload it from the pallet. The toolbox contains the clay roller shelf, tools, instruction manual, and warranty card.



(Installation)

- Install the unit. In a flat location for rattle-free operation and lock the casters.
- Place the clay roller shelf in the groove and support below the nozzle.
- Fit the front cover to the nozzle

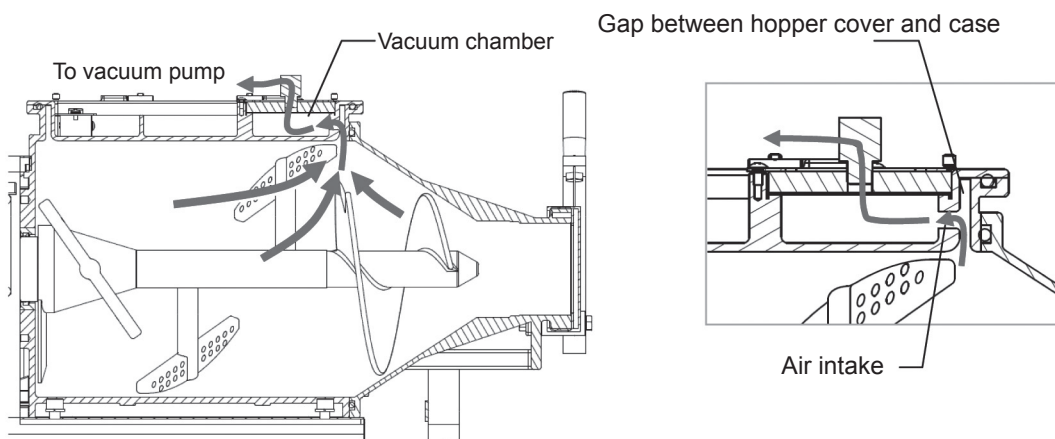


Before use

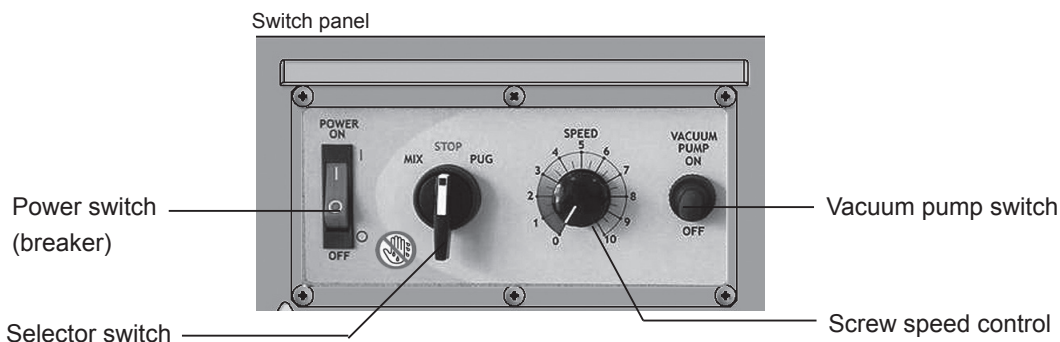
Mixing conditions vary depending on the type of clay, its hardness as well as the amount of water added. To recycle clay properly, familiarize yourself with this unit's operations. Carefully read the instruction manual before use.

Principle for recycling of clay

Mixing conditions vary depending on the type of clay, its hardness as well as the amount of water added. To recycle clay properly, familiarize yourself with this unit's operations. Carefully read the instruction manual before use.



Operation



Function of each switch	
Power switch (breaker)	Turns the power ON/OFF. Automatically turns OFF in the event of an electrical overload or the like.
Selector switch	MIX Mixes clay with water.
	STOP Stops the auger screw; resets any current error
	PUG Extrudes clay
Screw speed control	Controls the screw speed.
Vacuum pump switch	Turns ON/OFF the vacuum pump. (When the case is vacuum inside, the vacuum pump may be inoperable. To turn OFF the vacuum pump after the vacuum operation and then turn it ON again, open the vacuum stopcock to achieve normal pressure and then turn ON the vacuum pump.)

Unplug the power cord from the outlet in an emergency. The power cord also works as a breaker.

* Install the unit properly so you can access the power cord immediately in an emergency.

* Always start with the selector switch in the STOP position when turning ON the unit. The auger screw will not turn if the selector switch is set at MIX or PUG. If it is in either position, set the selector back to STOP, then set to either MIX or PUG.

* If the unit shuts down due to overload or the indicator is showing an error (e.g., OL1), set the selector switch to STOP. This will reset the error, allowing you to restart the operation.

Preparation for use



Warning Do not operate any switches with wet hands.

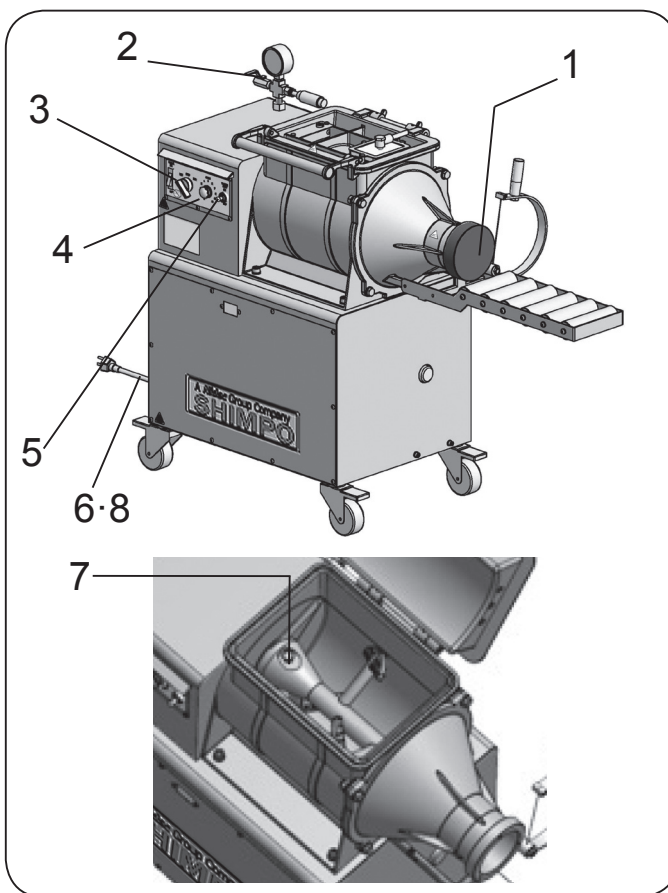
1. Close the hopper cover.
2. Open the pressure relief valve.
3. Check that the power switch is OFF.
4. Check that the selector switch is set to STOP.
5. Check that the vacuum pump switch is OFF.
6. Check that the power cord is unplugged.
7. Check that the auger screw fixing bolts are securely tightened.

* Be sure to check each time before use. If the screw becomes detached, the unit could become damaged.

Possible unintended issues while operating:

- If the power cord and the limit switch sensor are damaged, there is the potential danger of electric shock and/or short circuit.
- The limit switch sensor and its cord are damaged, as such, "the screw does not rotating" or "the auger screw does not rotate", regardless of opening/closing the door.
- If the internal circuits are damaged, "the direction of rotation could not be switched" or "the rotating speed could not be adjusted".

If these issues arise while operating, stop using the unit and contact your dealer or our office.



Operation procedure

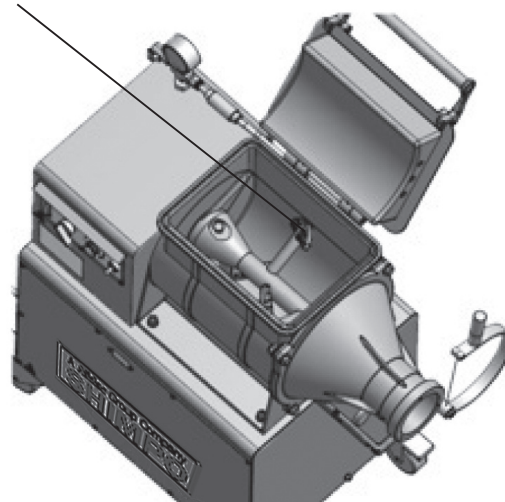
1. Supply clay.

- About 22 kg of clay can be mixed at one time. If the amount is too small, it will take longer for the clay to be recycled or the clay will not extrude. It is necessary to fill the barrel to the appropriate level.
- If the clay is in large clumps, break them down to an appropriate size first. Very wet clay cannot be recycled by itself. To recycle really wet clay, either dry it out some, first then recycle it or add dry clay to the mixture.

2. Feed clay.

- Do not add too much clay into the hopper at once, otherwise the hopper cover may not shut. Add enough clay to see the top of the auger screw.
- While mixing, more room may be created as the mixture compacts, After a short mixing time, add additional clay to fill back up to the top of the auger screw.

Feed clay to a level that allows you to view the top of the screw.



Make it smaller than your fist.

Operation procedure

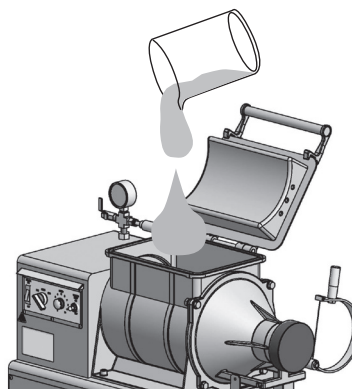
3. Add water.

- Add an appropriate amount of water.
- If the amount of water is not enough, an overload may occur, causing the auger screw to stop. If the amount of water is too much, the clay will become too soft, preventing the clay from being mixed and extruded. If you do not know how much water to add, add water in gradually while keeping note.

Note)

Do not operate the vacuum pump until the clay has the proper amount of water. Powdered components may clog the vacuum chamber if the vacuum is turned on too soon.

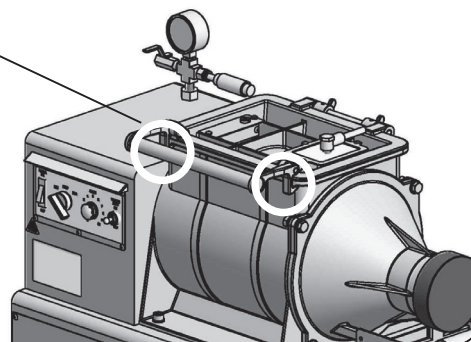
Add an appropriate amount of water.



4. Close the hopper cover.

- Close the hopper cover. If there is clay on either rim surface of the case or hopper cover, wipe it off. Both surfaces must be clean to create a good seal. Push down on the handle so the hopper cover can properly lock into the case.

Push down on the handle so the hopper cover can properly lock into the case.



5. Mixing process

Turn ON the power switch and set the selector switch to MIX. Slowly turn the screw speed control to select 6 to 8.

- If there is not enough clay in the hopper, stop the auger screw and add more clay and water. To stop the auger, return the speed control to 0, set the selector to STOP, then turn OFF the power switch.
- Continue mixing for a while. If the electric current of the motor exceeds 3.0 A, add water.

Note)

Do not set the speed control between 0 to 3.5. If the auger screw turns at too low a speed, too much current will flow to the motor, triggering the auger screw to stop.

Note)

The hopper cover has a limit switch sensor that detects when the cover is open or closed. If too much vibration is generated due to too large of clay chunks, the limit switch sensor may be triggered, causing the screw to stop. If the limit switch sensor gets triggered too frequently, the motor may shut down due to overload.



Warning

Do not access any switch with wet hand.



- ① Turn ON the power switch
- ② Set the selector switch to MIX
- ③ screw speed control to select 6 to 8.

Note)

The auger screw automatically stops after 2 hours of continuous running, to prevent the mixed clay from generating too much heat. When the auger screw is stopped by the timer, "END" will appear in the indicator box. Should this occur, return the selector switch back to "STOP" to restart the operation.

Operation procedure

6. Checking the mixed state

- Carry out mixing for a while and when the electric current value of the motor becomes stable, check the state of clay. If the clay is too hard, add water; if it is too soft, add hard clay.

Note)

Clay becomes harder as it is de-aired.
Therefore, the mixed clay should be softer than what is desired for use.

7. Vacuuming (de-airing) process

- When the clay reaches the appropriate consistency, remove any clay that might be clogging the air inlet. If clay covers the air inlets, the readings on the vacuum gauge will increase, but the inside of the may not be de-aired.
- Make sure the nozzle cover is clean, then place it over the nozzle.
- Close the vacuum's pressure relief valve, then turn ON the vacuum pump. The reading on the vacuum gauge will gradually increase. The gauge should reach a minimum of 0.09 Mpa.
- Set the selector switch to MIX. Slowly set the speed control to 6 to 8.

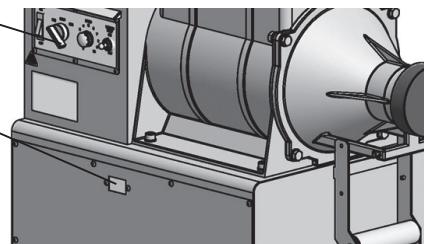
Note)

If the vacuum pressure suddenly increases, the gap between the door, near the air inlet, and the case might be clogged with clay. Remove the clay in that gap. If this does not fix the issue, there might be too much clay being mixed. Decrease the amount of clay.

- Mix clay with water and then continue the operation of the vacuum pump and the screw for about three minutes.

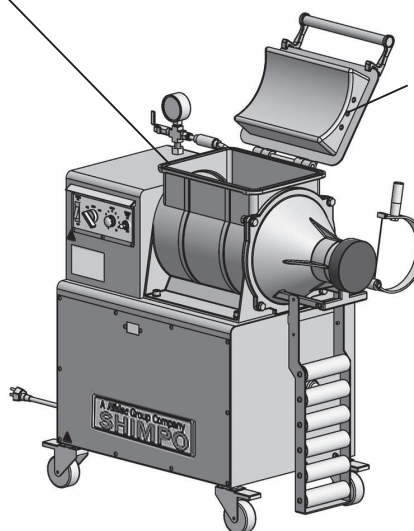
Set the selector switch to STOP

Confirm the electric current value showed in the indicator

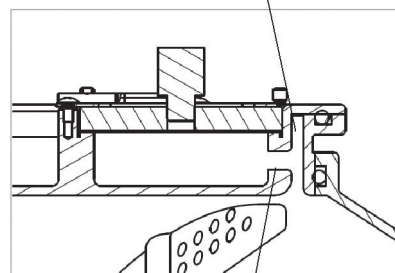


Clean both surfaces of the hopper cover and the case (including the gasket).

Remove clay between the hopper cover and the case and from the air inlet.



Gap between hopper cover and case



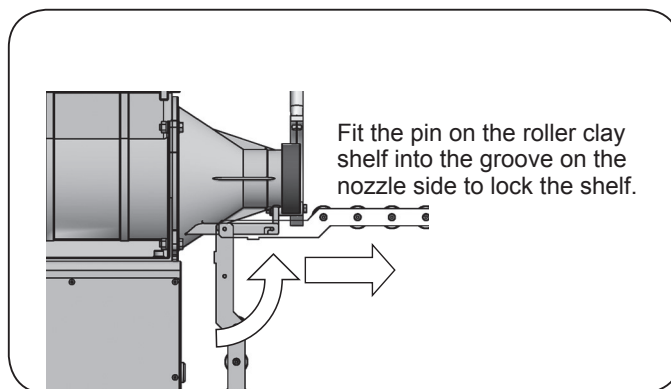
Air inlet

If the gap between the hopper cover, near the air inlet, and the case are clogged with clay, de-airing will occur.

Operation procedure

8. Extruding process

- Install the roller clay shelf.
- After about three minutes of mixing with the vacuum, change the selector switch from MIX to PUG. Continue to de-air during this time.
- When clay comes out of the nozzle, remove the front cover.
- Cut the clay into appropriate length.



9. When Pugging is complete

- When no more clay comes out of the nozzle, open the pressure relief valve and stop the auger screw.
- In order to dry the inside of the vacuum pump, continue to operate the vacuum pump for about one minute.

Note)

If the vacuum pump is left with its inside wet, it may malfunction over time.

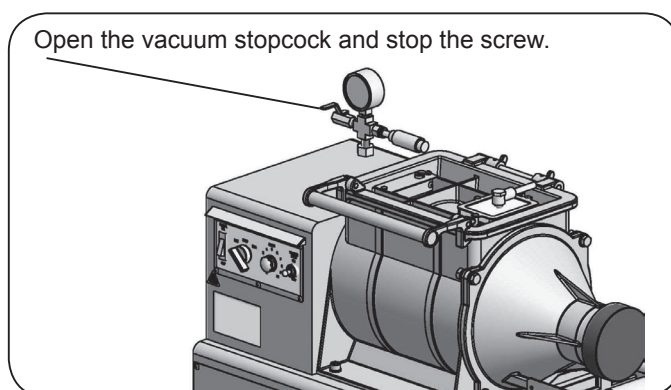
- After the vacuum pump has operated without clay, stop it, turn OFF the power switch, and then disconnect the power plug.
- Securely fit the nozzle cover so the clay inside will not dry out.
- If you do not plan on using the unit for an extended period of time, clean out the unit before letting it sit.

Note)

If the clay in the nozzle becomes hard, no clay will be extruded when the NVS-07 is used.

Note)

To close the roller clay shelf, slowly do so without releasing your hands until the shelf becomes vertical.



● Tips for successfully recycling clay ●

1. Immediately after water has been added, the screw and clay stick to each other, causing the screw to idle away. However, as mixing is continued in the idling state, the clay will be homogeneously mixed with water.
2. If not enough clay is added, it will take a longer time to mix and extrude the clay successfully.
3. If too much clay is added, the gap near the air inlet may get clogged with clay, preventing de-airing. If this occurs remove some of the clay to reach the desired amount.
4. If the clay is too hard after de-airing, begin de-airing when the clay is softer.

Display and description of indicators

• Display of indicator

Display	Description	Remarks
0.00A	Shows the electric current output to the motor. It is different from the consumption current of the NVS-07.	See the following table for electric current values vs. clay states.
OL1	Overload error: Displayed when the clay is hard or there is too much clay in the hopper.	Add water or decrease clay and then restart the NVS-07. The displayed error can be reset by pressing the selector switch once.
Er6	Start check error:Displayed when the selector switch is set to MIX or PUG.	Temporarily change the selector switch to STOP and then set it again to MIX or PUG.
LU	This will start the operation. Displayed if the power supply voltage is insufficient or if the power is turned OFF and then immediately turned ON again.	After all the display of the indicator has disappeared, turn ON the power.

• Electric current values vs. clay states

Electric current value	Clay state
2.0 A or less	Clay sticks to the screw, which is therefore idling away.
2.0 - 2.3 A	Clay is slightly soft.
2.3 - 3.0 A	Clay is appropriately hard.
3.0 - 3.2 A	Clay is slightly hard.
3.2 A or more	The screw is overloaded;it stops during continuous operation.

Troubleshooting

Symptom	Cause	Remedial action
No clay is extruded.	There is not enough clay.	Add clay until the case is filled with that clay.
	The clay in the case is too soft.	Since the clay is soft, add slightly hard clay.
	The clay in the nozzle is hard.	Remove the clay in the nozzle.
Rough-surfaced clay comes out of the extruding slot.	Dry clay is stuck inside the nozzle.	Clean the inside of the nozzle.
Clay is extruded as it rotates.	Clay is soft.	Add slightly hard clay.
The extruded clay has holes.		
The screw stops.The circuit breaker trips.	Clay is hard during mixing.	Add water to make the clay softer.
	A large clay lump is caught between the screw and the case.	Remove the clay lump.
	There is too much clay.	Remove some clay
The clay in the nozzle becomes hard.	The clay in the nozzle is dried.	Clean the nozzle by removing it.
The vacuum pressure is low.The degree of vacuum does not increase.	The gap between the hopper cover and the case becomes larger.	Use wet cloth or the like to clean the mating surfaces of the case and the hopper cover.
	The filter is clogged.	Clean the filter.
Clay is not de-aired.	The air inlet is clogged with clay.	Before de-airing, clean the air inlet and its peripheral area. If the air inlet is still clogged with clay during mixing, there is too much clay. Remove some clay.
	De-airing time was too short.	Extend the mixing time in vacuum.
Clay comes up to the vacuum chamber.	There is too much clay.	Remove the vacuum chamber cover (acrylic plate) and remove clay.
The vacuum pump is not operating properly.	The hopper case is already vacuumed, preventing the pump valve from being actuated.	The vacuum pump may stop working when the hopper case is already vacuumed. Open the pressure relief valve to pressurize the hopper then start the operating the vacuum.
The hopper cover will not open even if the pressure relief valve is opened.	The air inlet is clogged with clay, keeping the hopper case vacuumed.	Insert a thin rod or the like from the nozzle end to allow air to flow into the hopper case.

Maintenance

Disassembling

1. Set the selector switch to MIX and rotate the auger screw until the check bolt is positioned at the top.
2. Unplug the power cord from the electric outlet.
3. Remove the roller clay shelf.
4. Remove the nozzle and clean its insides thoroughly. Since the nozzle is heavy, handle it with care.
5. Remove the auger screw.
 - Loosen the check bolt on the auger screw and pull it out.
 - Clean the auger screw thoroughly. Carefully clean the motor shaft mounting holes in the auger screw. Remove any clay on the motor shaft with a wet cloth or sponge.
6. Clean the inside of the hopper case thoroughly. Do not clean the inside of the hopper by flushing it with water. This may cause electric devices to get water on them.

Reassembling

1. Clean the motor shaft and the auger screw mounting holes. If any clay remains, the auger screw should not be installed; damage may occur, preventing future assembly and disassembly.
2. Install the auger screw on the motor shaft and securely tighten the auger screw mounting bolts.
3. Carefully clean the nozzle mounting surface of the hopper case as well as the O-ring mounting surface of the nozzle.
4. Attach the O-ring to the nozzle and mount the nozzle back on to the hopper case.

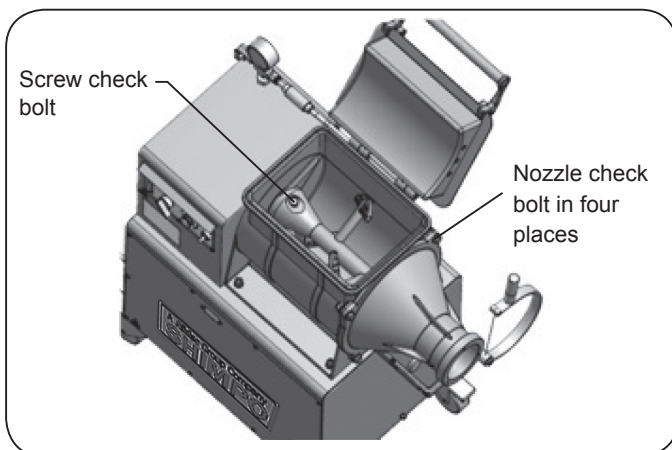
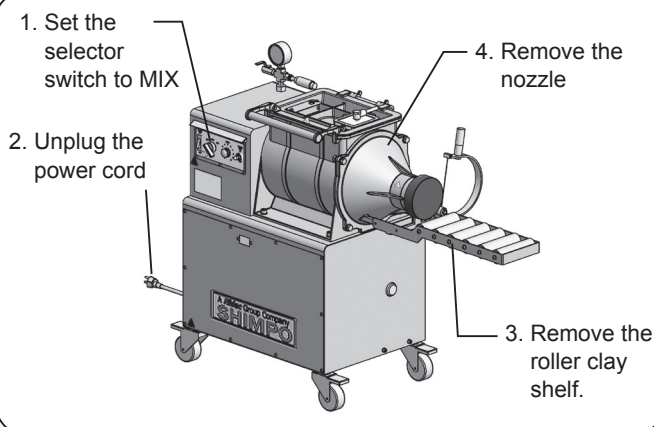
Test operation

1. Plug the power cord into the electric outlet. Start test operation without adding clay.
2. Close the hopper cover.
3. Turn ON the power switch.
4. Set the selector switch to MIX and listen for rotating sound of the auger screw.
5. Make sure that there is no vibration, rattling, and abnormal noise in the main unit.
6. Check that the auger screw stops when the hopper cover is opened.



Caution

Be sure to unplug the power cord before starting work. Do not access the power plug with wet hand.



Replacing the filter

If the filter is clogged, preventing the hopper case from vacuuming properly, replace the filter.

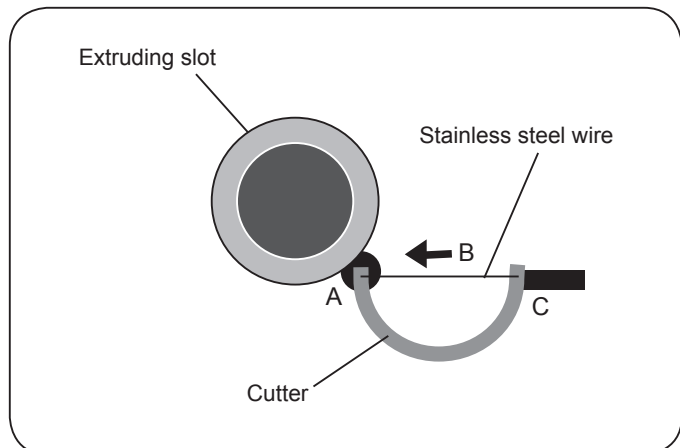
Maintenance

Replacing the stainless steel wire (to cut clay)

If the stainless steel wire is broken, replace it as follows:

- ① Remove the broken stainless steel wire.
- ② Secure the wire to point A.
- ③ Slightly bend the cutter in direction B and then secure the wire to point C.

- Purchase a commercially available stainless steel wire (piano wire) $\Phi 1.2\text{mm}$.



Disposal method

- Contact your local government as the disposal method differs depending on local governments.
- Do not disassemble the NVS-07 when disposing of it.

NVS-07

German

Achtung

Bewahren Sie diese Anleitung an einem sicheren und leicht zugänglichen Ort auf, nachdem Sie sie sorgfältig gelesen haben, damit Sie leicht darauf zugreifen können.

Bevor Sie das Gerät benutzen, lesen Sie die Bedienungsanleitung sorgfältig durch und befolgen Sie sie, um es richtig benutzen zu können.

- Wenn Sie die Bedienungsanleitung nicht richtig befolgen, können Verletzungen die Folge sein.
- Packen Sie dieses Gerät mit drei oder mehr Leuten aus (Gesamtgewicht 170 kg).
- Achten Sie beim Auspacken, Anheben oder Transportieren des Geräts darauf, dass es nicht herunterfällt.
- Bewahren Sie die Bedienungsanleitung an einem Ort auf, an dem alle Benutzer sie jederzeit lesen können.
- Übertragen Sie einer Person die Verantwortung für diesen Tonschneider. Stellen Sie sicher, dass nur solche Personen damit arbeiten dürfen, die die Anleitung gelesen und verstanden haben.

Gerätebeschreibung/Funktionsbeschreibung

Gerätebeschreibung

Der Vakuum-Tonschneider/Mischer NVS-07 wurde zum Mischen und Schlagen von Ton entwickelt, um ihn zum Gebrauch vorzubereiten.

Funktionsbeschreibung

- Sowohl feuchte als auch trockene Tonbestandteile können in diesem Gerät gemischt und geschlagen werden.
- Die Geschwindigkeit der Schnecke kann an die verschiedenen Konsistenzen des Tons angepasst werden. Ebenso können Mischen/Schlagen und Extrudieren durch Richtungsänderung der Schnecke durchgeführt werden.
- Der Hauptbehälter dieses Tonschneiders/Mischers besteht aus Edelstahl und ist korrosionsbeständig. In diesem Gerät kann Porzellanerde verwendet werden.
- Die Vakuumpumpe dient der Entlüftung des Tons beim Mischen und Schlagen.
- Ein Sicherheitsbegrenzungs-Schaltensor schaltet den Tonschneider aus, wenn die Behälterabdeckung offen ist.
- Sowohl das Mundstück als auch die Schnecke lassen sich zur einfachen Reinigung ausbauen.

INDEX

Sicherheitsmaßnahmen	18
Technische Daten - Teileliste	20
Lieferumfang • Aufbau und Vorbereitung	21
Vor dem Einsatz • Prinzip bei der Wiederverwendung von Ton • Betrieb	22
Vorbereitung zum Betrieb • Betriebsverfahren	23 ~ 26
Anzeige und Beschreibung der Anzeigen • Fehlersuche	27
Wartung	28
Entsorgungsmethode	29

Sicherheitsmaßnahmen

Unbedingt beachten

Bevor Sie dieses Gerät aufstellen, bedienen oder warten, lesen Sie die Bedienungsanleitung sorgfältig durch und befolgen Sie sie, um es richtig verwenden zu können. Beginnen Sie mit der Benutzung erst, nachdem Sie die Informationen über die Funktionen der Maschine, die Sicherheitshinweise und -Vorsichtsmaßnahmen durchgelesen haben.

Diese Betriebsanleitung benutzt zwei verschiedene Stufen von Sicherheitswarnungen: „Warnung“ und „Vorsicht“.

Beide sind wichtige Informationen zur Sicherheit. Sie müssen unbedingt befolgt werden.



Warnung

Dies weist auf die Möglichkeit einer schweren Verletzung oder sogar des Todes sowie auf Brandgefahr hin, wenn der Benutzer die Anweisung missachtet und das Gerät unsachgemäß bedient.



Vorsicht

Dies weist auf die Möglichkeit einer Verletzung oder Beschädigung hin, wenn der Benutzer das Gerät unsachgemäß bedient. Unter Umständen sind jedoch immer noch schwerere Verletzungen möglich.

Wir kategorisieren diese Sicherheitshinweise mithilfe der folgenden Symbole im gesamten Handbuch.



Eine verbotene Handlung, die Sie nicht durchführen dürfen.



Eine Erinnerung, besonders aufmerksam zu sein.



Eine Handlung, die Sie stets durchführen müssen.

Warnung

Fehlfunktionen

Im Fall einer Fehlfunktion müssen Sie das Gerät sofort anhalten.

Wenn eine Fehlfunktion auftritt, ziehen Sie das Netzkabel aus der Steckdose. Bei Nichtbeachtung kann dies aufgrund eines Stromschlags und/oder Lecks einen Brand auslösen und/oder eine Verletzung verursachen.

- Rauch und/oder ungewöhnliche Gerüche/Geräusche werden festgestellt.
- Das Gerät hat sich verformt und/oder Teile sind beschädigt.
- Die Schnecke läuft weiter, auch wenn der Behälterdeckel geöffnet wird.

Aufstellung

Stellen Sie das Gerät auf einer ebenen Fläche auf.

Wenn Sie das Gerät auf einer unebenen oder geneigten Fläche aufstellen, könnte das Gerät umfallen, was zu Verletzungen führen kann.

Vermeiden Sie die Aufstellung des Geräts an Orten, die dem Regen, stehendem Wasser und/oder hoher Luftfeuchtigkeit ausgesetzt sind.

Eine fehlerhafte Isolierung kann aufgrund eines Stromschlags und/oder Lecks einen Brand auslösen und/oder eine Verletzung verursachen.

Netzkabel und Stecker

Verwenden Sie das Gerät nicht, wenn das Netzkabel oder der Stecker beschädigt ist.

Wenn das Netzkabel oder der Stecker beschädigt ist oder nicht sicher in der Steckdose steckt, verwenden Sie das Gerät nicht. Wird dies nicht beachtet, kann dies aufgrund eines Stromschlags und/oder Kurzschlusses einen Brand auslösen.

* Wenn das Netzkabel beschädigt ist, wenden Sie sich an Ihren Händler oder unsere Werksvertretung.

Überlasten Sie nicht den Stromkreis.

Wird die Steckdose gemeinsam mit anderen elektrischen Geräten verwendet, könnte eine Überlastung einen Brand verursachen.

Verwenden Sie keine andere Spannung als 230 V Wechselstrom.

Das könnte zu einem Stromschlag und/oder Brand führen.

Tun Sie nichts, wodurch das Netzkabel beschädigt werden könnte.

Ziehen Sie nicht am Netzkabel, brechen, verfälschen und/oder biegen Sie es nicht. Lassen Sie es nicht in die Nähe von Wärmequellen geraten und stellen Sie keine schweren Gegenstände darauf ab. Wenn Sie dies nicht befolgen, kann ein Stromschlag und/oder Brand die Folge sein.

⚠️ Warnung

Netzkabel und Stecker

! Entfernen Sie regelmäßig den Staub vom Netzkabel.

Angesammelter Staub kann zum Versagen der Isolierung aufgrund von Feuchtigkeit führen, was zu einem Brand führen kann.

! Erden Sie das Gerät.

Achten Sie darauf, das Gerät zu erden, um Stromschläge zu vermeiden.

⊘ Berühren Sie die Schalter und Stecker nicht mit nassen Händen.

Das Betätigen von Schaltern und das Einstecken/Abtrennen des Netzkabels mit nassen Händen könnte einen Stromschlag verursachen. Wenn sich Ton darauf befindet, entfernen Sie ihn.

Fremdstoffe

⊘ Geben Sie keine Metalle und/oder andere entzündliche Stoffe in das Gerät.

Das könnte zu einem Stromschlag und/oder Brand führen.

Betrieb

⊘ Verändern Sie das Gerät nicht. Verwenden Sie es für keine anderen Zwecke als die Herstellung von Ton.

Verwenden Sie ein verändertes Gerät nicht. Verwenden Sie das Gerät für keine anderen Zwecke als das Mischen und Schlagen von Töpferton. Wenn Sie dies nicht beachten, kann eine Fehlfunktion und/oder ein Unfall die Folge sein.

⊘ Nutzerbegrenzung

Bestimmen Sie in Einrichtungen, in denen mehrere Personen dieses Gerät benutzen, eine Aufsichtsperson für die Verwendung des Tonschneiders. Lassen Sie niemals zu, dass eine Person das Gerät bedient, die nicht mit ihm vertraut ist. Jeder, der Zugang zum Tonschneider hat, muss die Bedienungsanleitung vollständig verstanden haben.

⊘ Stecken Sie die Hände nicht in den Ton-Extruderschlitze.

Stecken Sie niemals Ihre Finger oder Hände in die Austrittsöffnung des Tonschneiders. Wenn Sie dies nicht beachten, können Ihre Finger und Hände eingeklemmt werden, was zu Verletzungen führt.

⚠️ VORSICHT

Aufstellung

! Das Gerät ist schwer. Lassen Sie bei der Handhabung Umsicht walten.

Versuchen Sie nicht, das Gerät alleine auszupacken. Lassen Sie sich beim Auspacken und/oder Transportieren des Geräts von mindestens drei Leuten helfen. Übermäßige Belastung kann zu Verletzungen führen. Das Gerät ist schwer, wenn es herunterfällt, können Verletzungen die Folge sein.

Betrieb

! Achten Sie auf lose sitzende Kleidung, Accessoires und/oder lange Haare.

Bevor Sie das Gerät in Betrieb nehmen, achten Sie darauf, herunterbaumelnde Gegenstände wie lose Kleidung, Schmuck, Schals o. Ä. zu entfernen oder zu sichern. Lange Haare sollten ebenfalls hinten zusammengebunden werden. Wenn Sie dies nicht beachten, können Sie sich während des Betriebs in den beweglichen Teilen verfangen.

! Seien Sie vorsichtig beim Umgang mit dem Behälterdeckel.

Achten Sie darauf, sich nicht die Finger, Hände und/oder Arme im Behälterdeckel einzuklemmen. Halten Sie den Griff sicher fest und öffnen/schließen Sie den Deckel langsam. Nehmen Sie während des Öffnens/Schließens nicht Ihre Hand vom Griff.

! Wenn das Gerät nicht benutzt wird, öffnen Sie das Vakuumdruck-Ablassventil.

Wenn das Gerät nicht in Betrieb ist oder wenn beim Mischen kein Vakuum benötigt wird, öffnen Sie immer das Druckablassventil. Wenn beim Prozess des Mischens und Schlagens Gase erzeugt werden, kann sich im Behälter Druck aufbauen.

Netzkabel und Stecker

! Behindern Sie nicht den Zugang zum Netzkabel oder Stecker.

Wenn Sie dies nicht beachten, könnte es im Notfall unmöglich sein, das Netzkabel bzw. den Stecker schnell herauszuziehen.

⊘ Wenn das Gerät nicht benutzt wird, schalten Sie es AUS.

Wenn das Gerät längere Zeit nicht benutzt wird oder die Möglichkeit einer Entzündung besteht, schalten Sie das Gerät AUS und ziehen Sie den Gerätestecker aus der Steckdose.

Wartung

! Schalten Sie das Gerät AUS und ziehen Sie den Stecker, bevor eine Inspektion oder andere wichtige Arbeiten ausgeführt werden.

Schalten Sie vor dem Reinigen, Untersuchen, Einstellen oder anderen Austauscharbeiten das Gerät AUS und ziehen Sie den Stecker aus der Steckdose.

⊘ Gießen Sie niemals zu Reinigungszwecken Wasser direkt auf das Gerät.

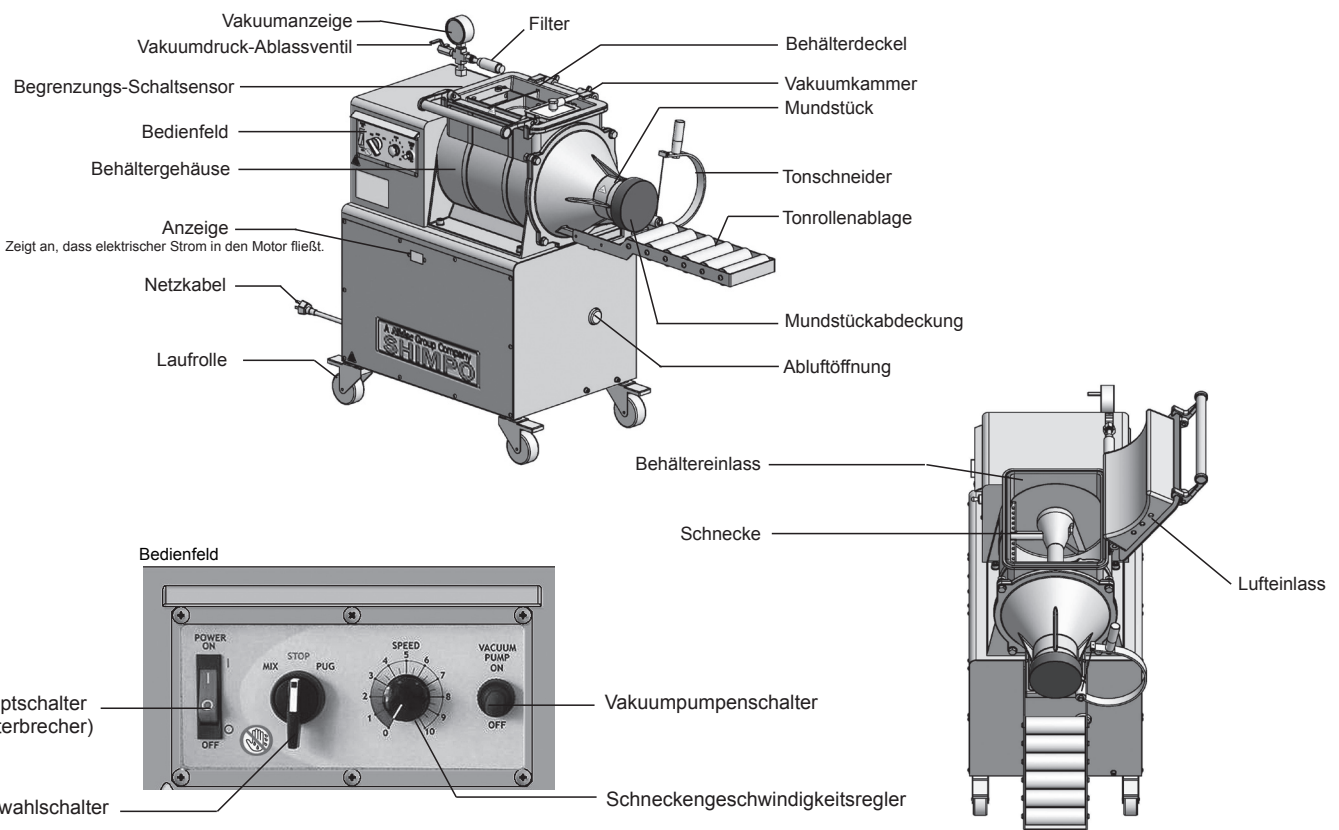
Gießen Sie niemals zur Reinigung Wasser direkt auf den Tonschneider. Das könnte zu elektrischen Kriechströmen und/oder zu Fehlfunktionen führen. Wischen Sie das Gerät zum Reinigen mit einem feuchten Schwamm, Handtuch o. Ä. ab.

* Nur die Schnecke und die Austrittsöffnung dürfen direkt mit Wasser gereinigt werden, nachdem sie vollständig auseinandergelöst worden sind.

Technische Daten

Modell	NVS-07
Stromversorgung	230 V Wechselstrom ~ /50 Hz
Motorleistung	750 W
Vakuumpumpe	250 W
Umgebungstemperatur	+10 °C bis 40 °C
Luftfeuchtigkeit	85 % oder weniger (keine Kondensation)
Höhe	1000 m oder weniger
Außenabmessungen	1200 mm (einschließlich Grundplatte) x 420 mm x 890 mm
Gewicht	140 kg
Durchmesser des Extruderschlitzes	Φ 90 mm
Tonzuladung	ca. 25 kg
Extrudierkapazität	330 kg/h (nur Schlagen)

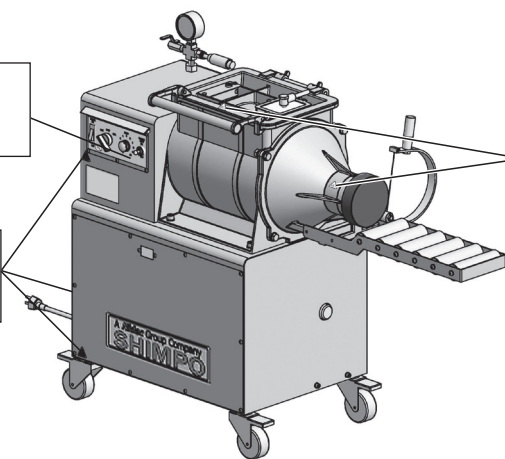
Teileliste



Nicht mit nassen Händen berühren. Führt zu elektrischem Schlag und Geräteausfall.

GEFAHR ELEKTRISCHER SCHLÄGE
Unterbrechen Sie vor Wartungsarbeiten die Stromversorgung.

BEWEGLICHE TEILE
Können schwere Verletzungen verursachen. Achten Sie auf Ihre Hände.



Lieferumfang

Teil	Menge	Bemerkungen
Hauptgerät	1	
Grundplatte	1	
Vorderabdeckung	1	
Doppelmaulschlüssel	2	17 x 13; zum Festziehen bzw. Lösen der Düse und Schrauben
Inbusschlüssel	1	M 2,5; zum Austausch des Edelstahldrahts für den Tonschneider
Betriebsanleitung	1	
Garantieschein	1	

Aufbau und Vorbereitung

- Da der NVS-07 sehr schwer ist, lassen Sie beim Auspacken hinreichende Vorsicht walten, damit das Gerät nicht herunterfällt.

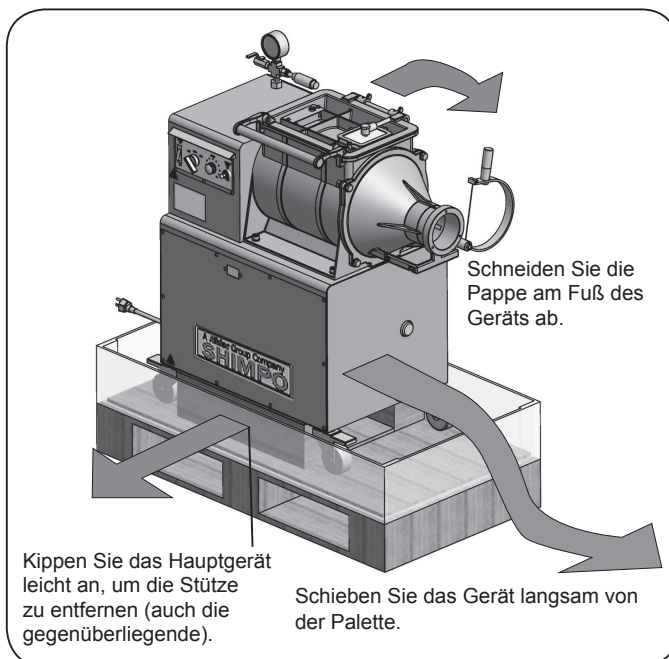


Gefahr

Das Gerät wiegt etwa 140 kg.
Lassen Sie dieses Gerät von drei oder mehr Leuten auspacken.

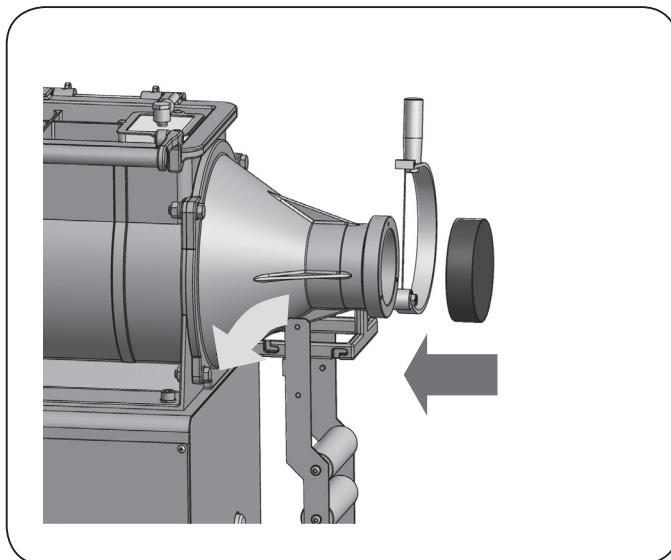
(Verfahren zum Auspacken)

- Entfernen Sie die Pappe und das Polstermaterial vom Gerät.
 - Schneiden Sie die Pappe am Fuß des Geräts ab.
 - Kippen Sie das Gerät leicht an, um die beiden Stützfüße zu entfernen.
 - Entriegeln Sie alle vier Räder.
 - Schieben Sie das Gerät langsam nach vorn, halten Sie es dabei sicher fest. Schieben Sie es anschließend von der Palette.
- Die Werkzeugkiste enthält den Tonwalzentisch, Werkzeuge, Bedienungsanleitung und Garantiekarte.



(Aufstellung)

- Stellen Sie das Gerät an einer ebenen Stelle für schwingungsfreien Betrieb auf und verriegeln Sie die Rollen.
- Legen Sie die Tonwalzenablage in die Rille und Stütze unter dem Mundstück.
- Stecken Sie die Frontabdeckung auf das Mundstück.

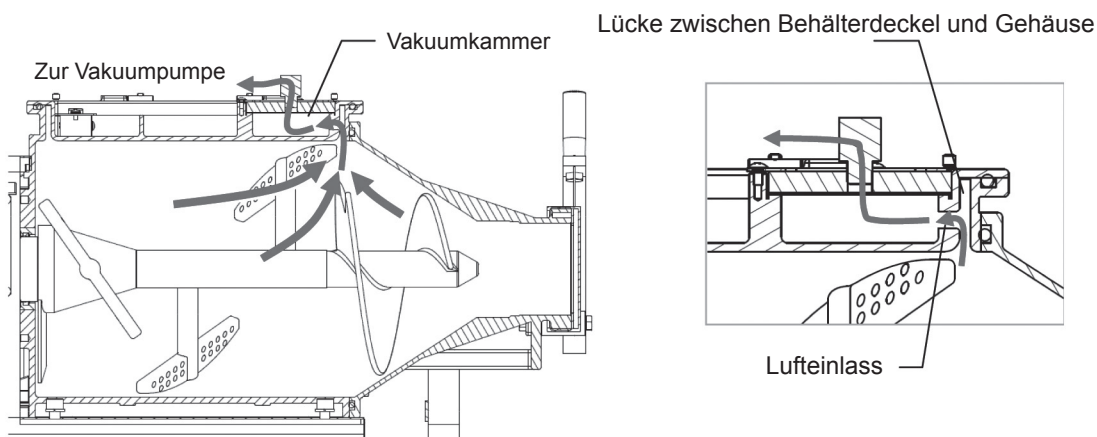


Vor dem Einsatz

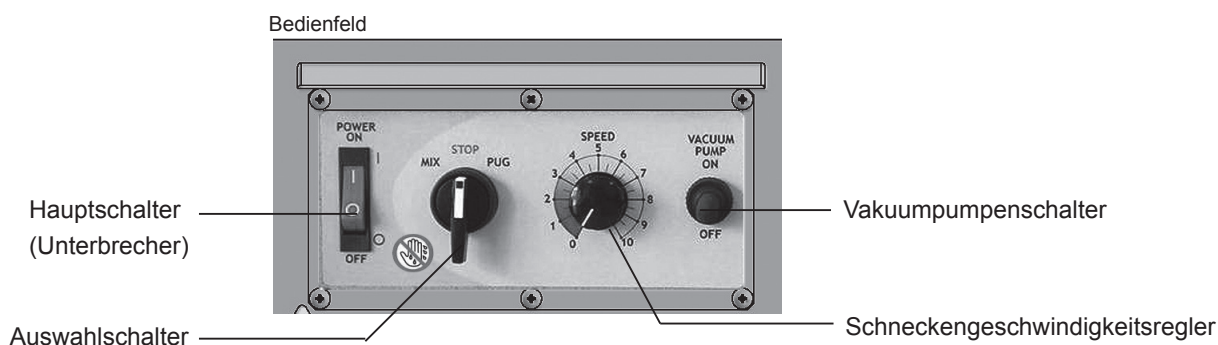
Die Mischungsverhältnisse hängen von der Art des Tons, seiner Härte sowie von der Menge des zugefügten Wassers ab. Um Ton richtig wiederverwenden zu können, machen Sie sich mit dem Betrieb des Geräts vertraut. Lesen Sie die Bedienungsanleitung vor Gebrauch sorgfältig durch.

Prinzip bei der Wiederverwendung von Ton

Die Mischungsverhältnisse hängen von der Art des Tons, seiner Härte sowie von der Menge des zugefügten Wassers ab. Um Ton richtig wiederverwenden zu können, machen Sie sich mit dem Betrieb des Geräts vertraut. Lesen Sie die Bedienungsanleitung vor Gebrauch sorgfältig durch.



Betrieb



Funktion der einzelnen Schalter	
Hauptschalter (Unterbrecher)	Schaltet das Gerät EIN/AUS. Im Fall einer elektrischen Überlast o. Ä. schaltet das Gerät automatisch AUS.
Auswahlschalter	MISCHEN Mischt Ton mit Wasser.
	STOPP Stoppt die Schnecke, stellt alle aktuellen Fehler zurück.
	SCHLAGEN Extrudiert Ton.
Schneckengeschwindigkeitsregler	Regelt die Geschwindigkeit der Schnecke.
Vakuumpumpenschalter	Schaltet die Vakuumpumpe EIN/AUS. (Wenn sich ein Vakuum im Gehäuse aufgebaut hat, ist die Bedienung der Vakuumpumpe u. U. nicht möglich.) Um die Vakuumpumpe nach dem Aufbau des Vakuums AUS- und anschließend wieder EIN-zuschalten öffnen Sie den Vakuum-Absperrhahn, um Normaldruck zu erreichen und schalten Sie anschließend die Vakuumpumpe EIN.

Ziehen Sie im Notfall das Netzkabel aus der Steckdose. Das Netzkabel fungiert auch als Unterbrecher.

* Stellen Sie das Gerät in geeigneter Weise so auf, dass Sie in einem Notfall sofort an das Netzkabel herankommen.

* Starten Sie das Gerät beim EIN-Schalten immer mit dem Auswahlschalter in der Stellung STOPP. Die Schnecke dreht sich nicht, wenn der Auswahlschalter auf MISCHEN oder SCHLAGEN steht. Wenn er in einer der beiden Stellungen steht, schalten Sie den Wähler zurück auf STOPP und anschließend entweder auf MISCHEN oder SCHLAGEN.

* Wenn das Gerät sich aufgrund einer Überlast ausschaltet oder die Anzeige einen Fehler anzeigt (z. B. OL1), stellen Sie den Auswahlschalter auf STOPP.

Dadurch wird der Fehler zurückgestellt und Sie können den Betrieb neu starten.

Vorbereitung zum Betrieb



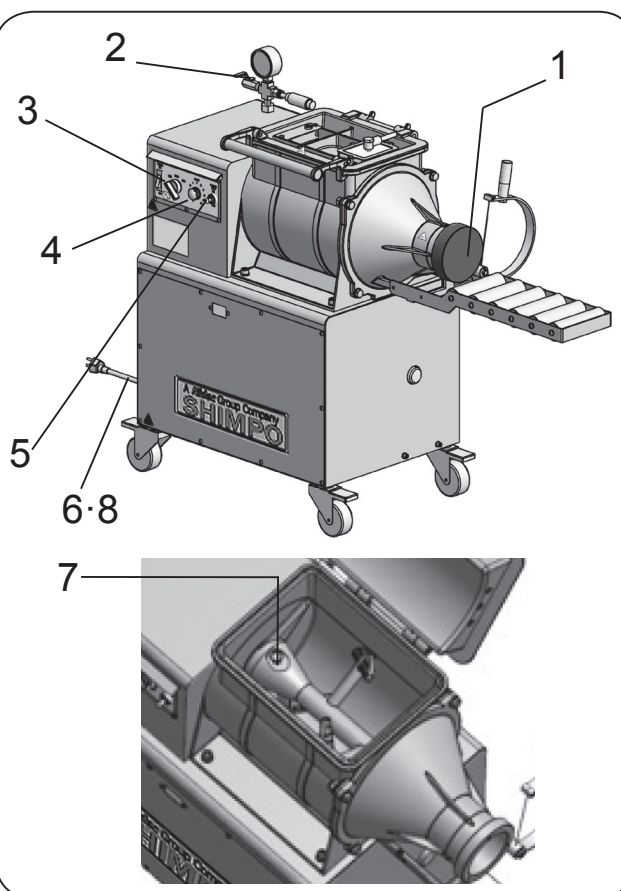
Warnung Betätigen Sie keinerlei Schalter mit nassen Händen.

1. Schließen Sie den Behälterdeckel.
 2. Öffnen Sie das Druckablassventil.
 3. Überprüfen Sie, ob der Hauptschalter auf AUS steht.
 4. Überprüfen Sie, ob der Auswahlschalter auf STOPP steht.
 5. Überprüfen Sie, ob der Vakuumpumpenschalter auf AUS steht.
 6. Überprüfen Sie, ob das Netzkabel herausgezogen ist.
 7. Überprüfen Sie, ob die Befestigungsschrauben der Schnecke sicher festgezogen sind.
- * Prüfen Sie das immer vor Gebrauch. Wenn sich die Schnecke löst, kann das Gerät beschädigt werden.

Mögliche unbeabsichtigte Vorkommnisse im Betrieb:

- Wenn das Netzkabel und der Begrenzungsschaltensor beschädigt sind, besteht die potenzielle Gefahr eines elektrischen Schlags und/oder Kurzschlusses.
- Der Begrenzungsschaltensor und sein Kabel sind beschädigt, von daher, „die Mischarme drehen sich nicht“ oder „die Schnecke dreht sich nicht“, unabhängig vom Öffnen/Schließen der Tür.
- Wenn die Steuerelektronik beschädigt ist „die Drehrichtung konnte nicht umgeschaltet werden“ oder „die Drehgeschwindigkeit konnte nicht eingestellt werden“.

Wenn diese Ereignisse während des Betriebs eintreten, beenden Sie die Verwendung des Geräts und wenden Sie sich an Ihren Händler oder unsere Werksvertretung.



Betriebsverfahren

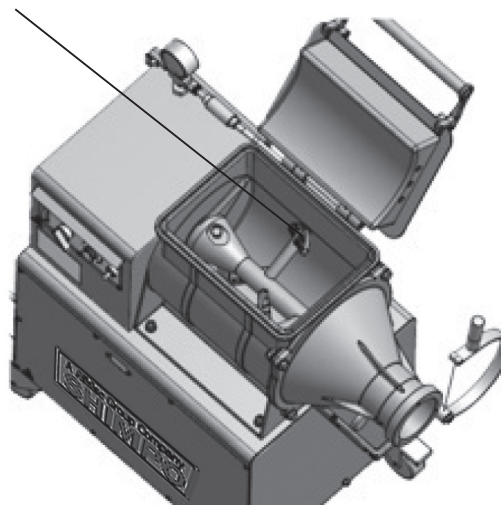
1. Ton einfüllen.

- Etwa 22 kg Ton können auf einmal gemischt werden. Wenn die Menge zu klein ist, dauert es länger, bis der Ton wiederverwendet wird oder der Ton lässt sich nicht extrudieren. Der Behälter muss bis zur angegebenen Höhe gefüllt werden.
- Wenn der Ton aus großen Klumpen besteht, zerkleinern Sie diese zunächst auf eine angemessene Größe. Sehr nasser Ton kann nicht allein wiederverwendet werden. Um richtig nassen Ton wiederzuverwenden, lassen Sie ihn entweder etwas trocknen und führen Sie ihn erst dann der Wiederverwendung zu, oder geben Sie trockenen Ton zu der Mischung hinzu.

2. Ton nachfüllen.

- Geben Sie nicht zu viel Ton auf einmal in den Behälter, sonst lässt sich der Behälterdeckel möglicherweise nicht schließen. Geben Sie so viel Ton hinzu, dass Sie die Oberseite der Schnecke noch sehen können.
- Während des Mischens kann zusätzlicher Platz frei werden, wenn die Mischung kompakter wird. Füllen Sie nach einer kurzen Mischzeit weiteren Ton hinzu, um den Behälter wieder bis zur Oberseite der Schnecke aufzufüllen.

Füllen Sie Ton bis zu einem Füllstand nach, bei dem Sie noch die Oberseite der Schnecke sehen können.



Kleiner als Ihre Faust.

Betriebsverfahren

3. Wasser hinzugeben.

- Geben Sie eine angemessene Menge Wasser hinzu.
- Wenn die Wassermenge nicht ausreicht, kann eine Überlastung auftreten, wodurch die Schnecke anhält. Wenn die Wassermenge zu groß ist, wird der Ton zu weich, und der Ton kann nicht gemischt und extrudiert werden.

Wenn Sie nicht wissen, wie viel Wasser Sie zugeben sollen, geben Sie das Wasser nach und nach hinzu und beobachten Sie die Mischung.

Hinweis)

Betätigen Sie die Vakuumpumpe nicht, bevor dem Ton die richtige Menge Wasser zugesetzt wurde. Pulverförmige Komponenten können sich in der Vakuumkammer verklumpen, wenn das Vakuum zu früh eingeschaltet wird.

4. Schließen Sie den Behälterdeckel.

- Schließen Sie den Behälterdeckel. Wenn sich Ton auf der Randfläche des Gehäuses oder dem Behälterdeckel befindet, wischen Sie ihn ab. Beide Oberflächen müssen sauber sein, um dicht zu schließen.

Drücken Sie den Griff herunter, so dass der Behälterdeckel ordnungsgemäß im Gehäuse einrastet.

5. Mischvorgang

Drehen Sie den Hauptschalter auf EIN und stellen Sie den Auswahlschalter auf MISCHEN. Drehen Sie den Schneckengeschwindigkeitsregler langsam auf 6 bis 8.

- Wenn nicht genügend Ton im Behälter ist, halten Sie die Schnecke an und füllen Sie Ton und Wasser nach. Um die Schnecke anzuhalten, drehen Sie den Geschwindigkeitsregler wieder auf 0, stellen Sie den Wahlschalter auf STOPP und schalten Sie dann den Netzschalter auf AUS.
- Lassen Sie den Mischvorgang eine Weile weiterlaufen. Wenn die Stromstärke des Motors 3,0 A überschreitet, fügen Sie Wasser hinzu.

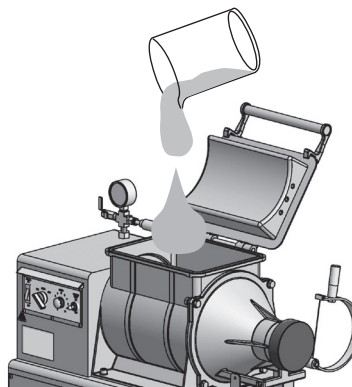
Hinweis)

Stellen Sie den Geschwindigkeitsregler nicht auf einen Wert zwischen 0 und 3,5. Wenn sich die Schnecke zu langsam dreht, fließt ein zu starker Strom zum Motor, wodurch die Schnecke anhält.

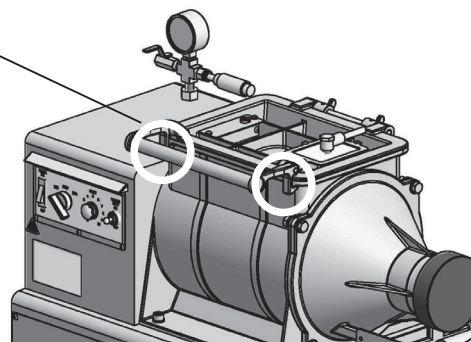
Hinweis)

Der Behälterdeckel hat einen Begrenzungsschaltensensor, der erkennt, ob der Deckel offen oder geschlossen ist. Wenn aufgrund zu großer Tonbrocken zu starke Vibrationen entstehen, kann der Begrenzungsschaltensensor ausgelöst werden und die Schnecke anhalten. Wenn der Begrenzungsschaltensensor zu häufig ausgelöst wird, schaltet sich möglicherweise der Motor aufgrund von Überlastung aus.

Geben Sie eine angemessene Menge Wasser hinzu.



Drücken Sie den Griff herunter, so dass der Behälterdeckel ordnungsgemäß im Gehäuse einrastet.



Warnung

Berühren Sie keinen Schalter mit nassen Händen.



(1) Drehen Sie den Hauptschalter auf EIN

(3) Stellen Sie den Schneckengeschwindigkeitsregler auf 6 bis 8.

(2) Stellen Sie den Auswahlschalter auf MISCHEN

Hinweis)

Die Schnecke stoppt automatisch nach 2 Stunden Dauerbetrieb, damit der gemischte Ton nicht zu viel Hitze entwickelt.

Wenn die Schnecke von der Zeitschaltuhr angehalten wird, erscheint „ENDE“ im Anzeigekasten. Sollte dieser Fall eintreten, drehen Sie den Auswahlschalter zurück auf „STOPP“, um den Vorgang neu zu starten.

Betriebsverfahren

6. Prüfen des Mischungszustands

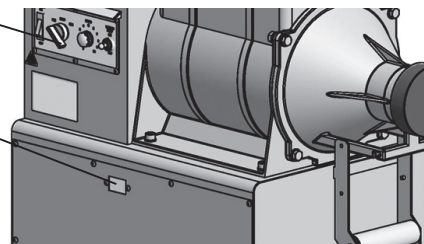
- Lassen Sie den Mischvorgang eine Weile laufen und prüfen Sie den Zustand des Tons, sobald die Stromstärke für den Motor stabil wird. Wenn der Ton zu hart ist, fügen Sie Wasser hinzu; wenn er zu weich ist, fügen Sie harten Ton hinzu.

Hinweis)

Der Ton wird beim Entlüften härter.
Daher sollte der gemischte Ton weicher sein als für die Verarbeitung gewünscht.

Stellen Sie den
Auswahlschalter
auf STOPP

Überprüfen Sie
den Wert der
Stromstärke in der
Anzeige



7. Vakuumprozess (Entlüftung)

- Wenn der Ton die richtige Konsistenz erreicht hat, entfernen Sie den Ton, der den Lufteinlass verstopfen könnte. Wenn Ton die Lufteinlässe zudeckt, steigen die Werte auf der Vakuumanzeige, aber das Innere wird möglicherweise nicht entlüftet.
- Achten Sie darauf, dass die Frontabdeckung sauber ist und setzen Sie sie auf das Mundstück.
- Schließen Sie das Vakuumdruckablassventil und schalten Sie anschließend die Vakuumpumpe EIN. Der Wert auf der Vakuumanzeige steigt allmählich an. Die Anzeige sollte mindestens bis auf 0,09 MPa ansteigen.
- Stellen Sie den Auswahlschalter auf MISCHEN. Stellen Sie den Geschwindigkeitsregler langsam auf einen Wert zwischen 6 und 8.

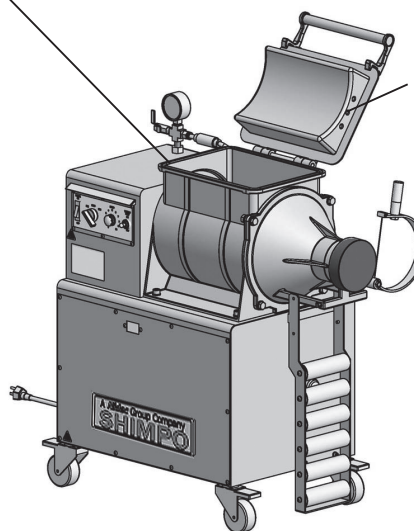
Hinweis)

Wenn der Vakuumdruck plötzlich ansteigt, ist der Spalt zwischen dem Deckel, in der Nähe des Lufteinlasses und dem Gehäuse möglicherweise mit Ton verstopft.
Entfernen Sie den Ton aus dem Spalt. Wenn das Problem dadurch nicht behoben wird, ist die gemischte Tonmenge möglicherweise zu groß.
Verringern Sie die Menge an Ton.

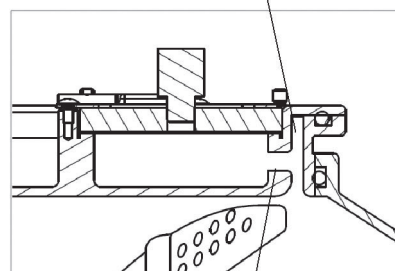
- Mischen Sie Ton mit Wasser und lassen Sie die Vakuumpumpe und die Schnecke etwas drei Minuten weiterlaufen.

Reinigen Sie die Oberfläche von Behälterdeckel und Gehäuse (einschließlich der Dichtung).

Entfernen Sie
den Ton zwischen
Behälterdeckel
und Gehäuse
sowie aus dem
Lufteinlass.



Lücke zwischen Behälterdeckel und Gehäuse



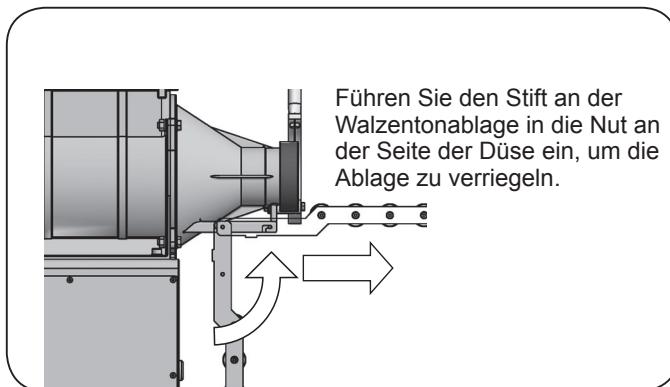
Lufteinlass

Wenn der Spalt zwischen dem Behälterdeckel, in der Nähe des Lufteinlasses und dem Gehäuse mit Ton verstopft ist, findet keine Entlüftung statt.

Betriebsverfahren

8. Extrudieren

- Bringen Sie den Walzentontisch an.
- Schalten Sie den Auswahlschalter nach etwa drei Minuten Mischen unter Vakuum von MISCHEN auf SCHLAGEN.
- Fahren Sie jetzt mit der Entlüftung fort.
- Wenn Ton aus der Düse austritt, entfernen Sie die Frontabdeckung.
- Schneiden Sie den Ton auf eine angemessene Länge.



9. Wenn das Extrudieren abgeschlossen ist

- Wenn kein Ton mehr aus der Düse austritt, öffnen Sie das Druckablassventil und halten Sie die Schnecke an.
- Lassen Sie die Vakuumpumpe etwa eine Minute lang weiterlaufen, um das Innere der Vakuumpumpe zu trocknen.

Hinweis)

Wenn die Vakuumpumpe innen feucht bleibt, kann es mit der Zeit zu einer Fehlfunktion kommen.

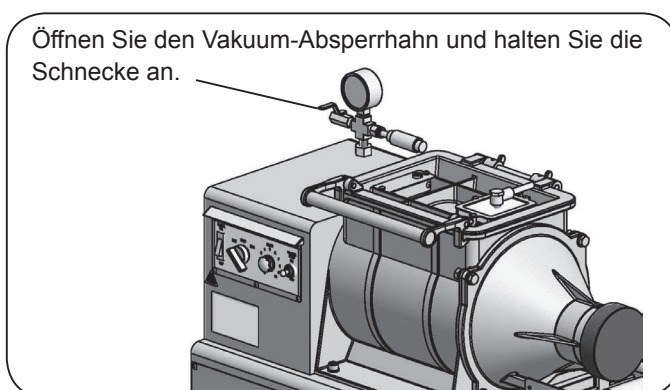
- Nachdem die Vakuumpumpe ohne Ton gelaufen ist, halten Sie sie an, schalten Sie den Hauptschalter AUS und ziehen Sie anschließend den Netzstecker ab.
- Setzen Sie die Mundstücksabdeckung fest auf, damit der Ton im Inneren nicht austrocknet.
- Wenn Sie planen, das Gerät längere Zeit nicht zu nutzen, reinigen Sie das Gerät von verbleibendem Ton, bevor er sich festsetzt.

Hinweis)

Wenn der Ton im Mundstück hart wird, wird beim Gebrauch des NVS-07 kein Ton extrudiert.

Hinweis)

Gehen Sie beim Schließen der Walzentonablage langsam vor, ohne loszulassen, bis die Ablage senkrecht steht.



● Tipps für die erfolgreiche Wiederverwendung von Ton ●

1. Unmittelbar nach dem Einfüllen des Wassers kleben die Schnecke und der Ton aneinander, wodurch sich die Schnecke im Leerlauf dreht. Wenn jedoch der Mischvorgang in diesem Leerlaufzustand fortgesetzt wird, mischt sich der Ton gleichmäßig mit Wasser.
2. Wenn nicht genug Ton zugegeben wird, dauert es länger, den Ton erfolgreich zu mischen und auszugeben.
3. Wenn zu viel Ton zugegeben wird, kann der Spalt in der Nähe des Luftenlasses mit Ton verstopft werden, wodurch die Entlüftung verhindert wird. Wenn dies passiert, entfernen Sie etwas Ton, um die gewünschte Menge zu erreichen.
4. Wenn der Ton nach dem Entlüften zu hart ist, beginnen Sie mit dem Entlüften, wenn der Ton weicher ist.

Anzeige und Beschreibung der Anzeigen

• Anzeige

Anzeige	Beschreibung	Bemerkungen
0.00A	Zeigt die Stromabgabe an den Motor an. Sie ist vom Stromverbrauch des NVS-07 verschieden.	In der folgenden Tabelle finden Sie Informationen über die Stromstärken bei verschiedenen Zuständen des Tons.
OL1	Überlastfehler: Wird angezeigt, wenn der Ton zu hart ist oder zu viel Ton im Behälter ist.	Geben Sie Wasser hinzu oder verringern Sie die Menge an Ton und starten Sie den NVS-07 neu. Der angezeigte Fehler kann durch einmaliges Drücken des Auswahlschalters zurückgestellt werden.
Er6	Startprüffehler: Wird angezeigt, wenn der Auswahlschalter auf MISCHEN oder SCHLAGEN steht.	Stellen Sie den Auswahlschalter vorübergehend auf STOPP und danach wieder auf MISCHEN oder SCHLAGEN.
LU	Damit wird der Vorgang gestartet. Wird angezeigt, wenn die Speisespannung zu niedrig ist oder wenn das Gerät AUS- und unmittelbar danach wieder EIN-geschaltet wird.	Wenn alle Anzeigen erloschen sind, schalten Sie das Gerät EIN.

• Stromstärken bei verschiedenen Zuständen des Tons

Stromstärke	Zustand des Tons
2,0 A oder weniger	Der Ton klebt an der Schnecke, die darum leerläuft.
2,0 - 2,3 A	Der Ton ist etwas zu weich.
2,3 - 3,0 A	Der Ton hat die richtige Härte.
3,0 - 3,2 A	Der Ton ist etwas zu hart.
3,2 A oder mehr	Die Schnecke ist überlastet; sie stoppt im Dauerbetrieb.

Fehlersuche

Symptom	Ursache	Abhilfemaßnahme
Es wird kein Ton extrudiert.	Es ist nicht genug Ton vorhanden.	Fügen Sie Ton hinzu, bis das Gehäuse damit gefüllt ist.
	Der Ton im Gehäuse ist zu weich.	Wenn der Ton zu weich ist, fügen Sie etwas harten Ton hinzu.
	Der Ton in der Düse ist hart.	Entfernen Sie den Ton aus der Düse.
Ton mit rauer Oberfläche kommt aus dem Extruderspalt.	Trockener Ton sitzt in der Düse fest.	Reinigen Sie das Innere der Düse.
Der Ton wird drehend extrudiert. Der extrudierte Ton hat Löcher.	Der Ton ist zu weich.	Geben Sie etwas harten Ton hinzu.
Die Schnecke blockiert. Der Schutzschalter löst aus.	Der Ton wird beim Mischen hart.	Geben Sie Wasser hinzu, um den Ton weicher zu machen.
	Ein großer Tonklumpen ist zwischen Schnecke und Gehäuse eingeklemmt.	Entfernen Sie den Tonklumpen.
	Es ist zu viel Ton im Gerät.	Nehmen Sie etwas Ton heraus.
Der Ton in der Düse wird hart.	Der Ton in der Düse ist getrocknet.	Reinigen Sie die Düse, indem Sie ihn entfernen.
Der Vakuumdruck ist zu niedrig. Das Vakuum wird nicht stärker.	Der Spalt zwischen dem Behälterdeckel und dem Gehäuse wird größer.	Reinigen Sie die Passflächen von Gehäuse und Behälterdeckel mit einem feuchten Tuch o. Ä.
	Der Filter ist verstopft.	Reinigen Sie den Filter.
Der Ton wird nicht entlüftet.	Der Lufteinlass ist mit Ton verstopft.	Reinigen Sie den Lufteinlass und die umliegenden Bereiche vor dem Entlüften. Wenn der Lufteinlass während des Mischens immer noch mit Ton verstopft, ist zu viel Ton im Gerät. Nehmen Sie etwas Ton heraus.
	Die Entlüftungszeit war zu kurz.	Verlängern Sie die Mischzeit im Vakuum.
Ton steigt in die Vakuumkammer auf.	Es ist zu viel Ton im Gerät.	Nehmen Sie die Abdeckung der Vakuumkammer (Acrylplatte) ab und nehmen Sie Ton heraus.
Die Vakuumpumpe funktioniert nicht richtig.	Das Behältergehäuse ist bereits evakuiert, darum wird das Pumpenventil nicht betätigt.	Die Vakuumpumpe bleibt möglicherweise stehen, wenn das Behältergehäuse bereits evakuiert ist. Öffnen Sie das Druckablassventil, um den Behälter unter Druck zu setzen und starten Sie anschließend den Vakuumbetrieb.
Der Behälterdeckel lässt sich nicht öffnen, auch nachdem das Druckablassventil geöffnet wurde.	Der Lufteinlass ist mit Ton verstopft und das Behältergehäuse bleibt evakuiert.	Führen Sie einen dünnen Stab oder dergleichen durch die Düse ein, damit Luft in das Behältergehäuse strömen kann.

Wartung

Auseinanderbauen

1. Stellen Sie den Auswahlschalter auf MISCHEN und lassen Sie die Schnecke drehen, bis der Prüfbolzen oben ist.
2. Ziehen Sie das Netzkabel aus der Steckdose.
3. Nehmen Sie die Walzentonablage ab.
4. Nehmen Sie die Düse ab und reinigen Sie das Innere gründlich. Seien Sie vorsichtig, die Düse ist schwer.
5. Nehmen Sie die Schnecke heraus.
 - Lösen Sie den Prüfbolzen an der Schnecke und ziehen Sie sie heraus.
 - Reinigen Sie die Schnecke gründlich. Reinigen Sie sorgfältig die Aufnahmelöcher für die Motorwelle in der Schnecke. Entfernen Sie mit einem feuchten Tuch oder Schwamm allen Ton von der Motorwelle.
6. Reinigen Sie das Innere des Behältergehäuses gründlich.
Reinigen Sie das Innere des Behälters nicht, indem Sie es mit Wasser ausspülen. Dadurch könnte Wasser in die elektrischen Bauteile gelangen.

Wieder zusammenbauen

1. Reinigen Sie die Motorwelle und die Aufnahmelöcher der Schnecke. Wenn Ton zurückbleibt, darf die Schnecke nicht eingesetzt werden; es können Beschädigungen auftreten, die in der Zukunft die Montage und Demontage unmöglich machen.
2. Setzen Sie die Schnecke auf die Motorwelle und ziehen Sie die Befestigungsschrauben der Schnecke fest.
3. Reinigen Sie die Ansatzfläche am Mundstück und dem Gehäuse. Nun legen Sie die Dichtung an und montieren das Mundstück wieder am Gehäuse.
4. Legen Sie den Dichtungsring an und montieren Sie das Mundstück wieder am Behältergehäuse.

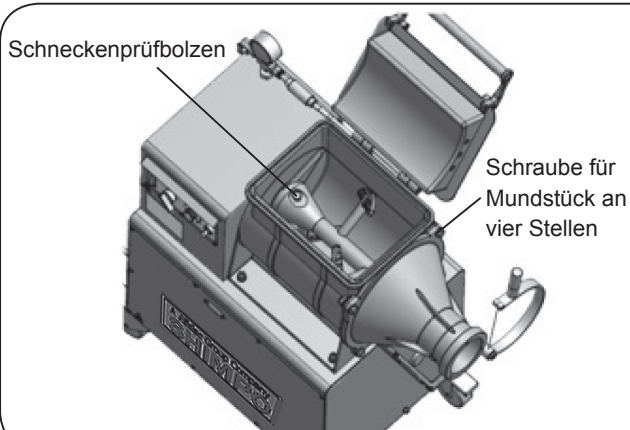
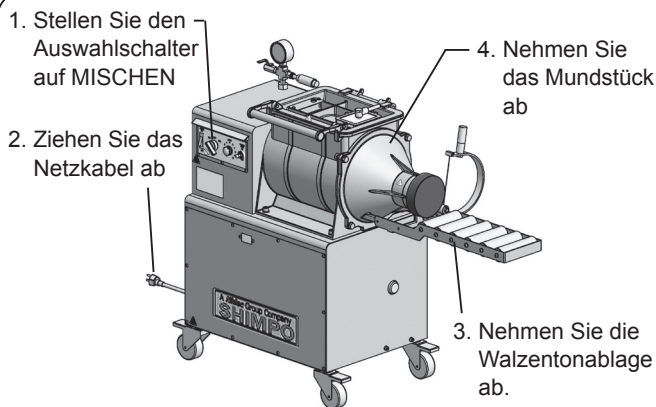
Testbetrieb

1. Stecken Sie das Netzkabel in die Steckdose. Starten Sie den Testbetrieb ohne die Zugabe von Ton.
2. Schließen Sie den Behälterdeckel.
3. Drehen Sie den Hauptschalter auf EIN.
4. Stellen Sie den Auswahlschalter auf MISCHEN und hören Sie auf das Drehgeräusch der Schnecke.
5. Überzeugen Sie sich davon, dass keine Vibration, Klappern und ungewöhnliche Geräusche im Hauptgerät auftreten.
6. Überprüfen Sie, ob die Schnecke anhält, wenn der Behälterdeckel geöffnet wird.



Vorsicht

Ziehen Sie unbedingt das Netzkabel ab, bevor Sie mit der Arbeit beginnen. Berühren Sie den Netzstecker nicht mit nassen Händen.



Austauschen des Filters

Wenn der Filter verstopft ist und das Behältergehäuse nicht richtig evakuiert werden kann, muss der Filter ersetzt werden.

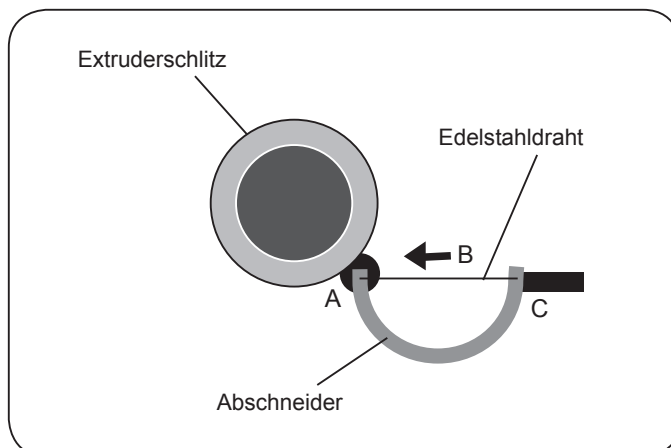
Wartung

Austausch des Edelstahldrahts (zum Schneiden von Ton)

Wenn der Edelstahldraht gerissen ist, ersetzen Sie ihn wie folgt:

- (1) Entfernen Sie den gerissenen Edelstahldraht.
- (2) Befestigen Sie den Draht an Punkt A.
- (3) Biegen Sie den Abscheider etwas in Richtung B und befestigen Sie anschließend den Draht an Punkt C.

- Kaufen Sie einen handelsüblichen Edelstahldraht (Klavierdraht) Φ 1,2 mm.



Entsorgungsmethode

- Wenden Sie sich an Ihre örtliche Behörde, da sich die Entsorgungsmethode je nach Behörde unterscheidet.
- Nehmen Sie den NVS-07 nicht auseinander, wenn Sie ihn entsorgen.

NVS-07

French

Attention

Après avoir lu avec attention ce manuel, veuillez à le stocker à un endroit sécurisé et pratique pour vous y référer facilement.

Avant d'utiliser cette unité, veuillez lire attentivement le manuel d'instruction et respectez-le pour une utilisation correcte.

- Si vous ne suivez pas le manuel d'instruction correctement, cela risque d'entraîner des blessures.
- Cette unité doit être déballée par trois personnes ou plus (son poids total est de 170 kg).
- Lorsque vous déballez, soulevez ou déplacez, faites attention à ne pas lâcher l'unité.
- Conservez le manuel d'instructions là où tous les utilisateurs peuvent s'y référer n'importe quand.
- Désignez une personne responsable de la gestion du malaxeur. Assurez-vous que seules les personnes ayant lu et compris le manuel sont autorisées à l'utiliser.

Description de l'unité/Description du fonctionnement

Description de l'unité

Le NVS-07, mélangeur/boudineuse-désaéreuse est conçu pour mélanger, malaxer, et désaérer l'argile pour qu'elle soit prête à être utilisée.

Description du fonctionnement

- Les composants mouillés et secs de l'argile peuvent être mélangés et malaxés dans cet appareil.
- La vitesse de l'arbre à pales est variable et peut être réglée pour s'adapter aux différentes consistances de l'argile.
Le passage du mélange/malaxage à l'extraction/désaérage se fait par un commutateur de sélection.
- Le corps principal de ce malaxeur/mélangeur/désaéreur est en acier inoxydable et est donc résistant à la corrosion. Le travail de la pâte porcelaine peut être réalisé dans cette unité.
- Une pompe à vide assure le désaérage de l'argile pendant le mélange en respectant certaines précautions d'utilisation.
- Un interrupteur de sécurité arrête la machine lorsque le capot de la trémie est ouvert.
- La buse d'extrusion et l'arbre à pales sont démontables pour faciliter le nettoyage.

INDEX

Précautions de sécurité	32
Spécifications - Liste des pièces	34
Éléments inclus • Installation et préparation	35
Avant l'utilisation • Principe de recyclage de l'argile • Fonctionnement	36
Préparation pour l'utilisation • Procédure de fonctionnement ..	37 ~ 40
Affichage et description des indicateurs • Dépannage	41
Entretien	42
Méthode de mise au rebut	43

Précautions de sécurité

Veillez à ne pas y déroger

Avant l'installation, l'utilisation et l'entretien de cette unité, veuillez lire attentivement le manuel d'instruction et respectez-le pour une utilisation correcte. Commencez l'utilisation après avoir lu les sections concernant les fonctions de l'équipement, les informations et les précautions de sécurité.

Ce manuel d'instruction fournit deux types d'avertissements de sécurité : « Avertissement » et « Mise en garde ».

Chacun d'eux est associé à une description importante liée à la sécurité. Veillez à les respecter.



Avertissement

Ceci indique le risque de blessures graves ou de mort, et d'incendie si un utilisateur ne respecte pas les instructions et utilise l'unité de manière incorrecte.



Mise en garde

Ceci indique un risque de blessures ou de dommages si l'utilisateur se sert de l'unité de manière incorrecte. Cependant, en fonction des circonstances, de graves blessures peuvent survenir.

Nous répartissons le type de précautions avec les symboles suivants dans tout le manuel.



Une action interdite que vous ne devez pas réaliser.



Un rappel pour que vous soyez attentif.



Une action que vous devez toujours entreprendre.

Avertissement

Dysfonctionnements

En cas de dysfonctionnement, arrêtez immédiatement d'utiliser l'unité.

En cas de dysfonctionnement, débranchez le cordon d'alimentation. Sinon, un incendie et/ou des blessures peuvent survenir à cause d'un choc électrique et/ou d'une fuite.

- De la fumée et/ou une odeur/un son anormaux sont détectés.
- L'unité est déformée et/ou des pièces sont endommagées.
- L'arbre à pales continue à fonctionner même lorsque le couvercle de trémie est ouvert.

Installation

Installez l'unité sur une surface plane.

L'installation de l'unité sur une surface irrégulière ou en pente risque de la faire tomber, ce qui peut causer des blessures.

Évitez d'installer l'unité à des endroits exposés à la pluie, à l'eau stagnante et/ou à l'humidité.

Une mauvaise isolation risque de causer un incendie et/ou des blessures à cause d'un choc électrique et/ou d'une fuite.

Cordon d'alimentation et prise

N'utilisez pas l'unité si le cordon d'alimentation ou la prise sont endommagés.

Si le cordon d'alimentation ou la prise sont endommagés, ou ne s'imbriquent pas bien dans la prise, n'utilisez pas l'unité. Sinon, un incendie peut survenir à cause d'un choc électrique et/ou d'un court-circuit.

* Si le cordon d'alimentation est endommagé, veuillez contacter votre revendeur ou notre bureau.

Ne surchargez pas le circuit électrique.

Si vous partagez la prise avec d'autres appareils électriques, une surcharge risque de causer un incendie.

N'utilisez pas l'unité avec une tension autre que CA 240 V.

Cela pourrait entraîner un choc électrique et/ou un incendie.

N'entreprenez aucune action risquant d'endommager le cordon d'alimentation.

Ne tirez pas, ne cassez pas, ne fabriquez pas et/ou ne pliez pas excessivement le cordon d'alimentation. Ne l'approchez pas d'une source de chaleur et ne placez pas de matériaux lourds dessus. Sinon, cela pourrait entraîner un choc électrique et/ou un incendie.

⚠ Avertissement

Cordon d'alimentation et prise

⚠ Dépoussiérez régulièrement le cordon d'alimentation.

Une accumulation de poussière risque de causer un défaut de l'isolation à cause de l'humidité, ce qui peut causer un incendie.

⚠ Reliez l'unité à la terre.

Veillez à relier l'appareil à la terre pour éviter tout choc électrique. Faites vérifier votre installation par un électricien agréé.

⚠ Ne touchez pas les commutateurs et les prises avec les mains mouillées.

Utiliser les commutateurs, brancher et débrancher le cordon d'alimentation avec les mains mouillées risque d'entraîner un choc électrique. S'il y a de l'argile dessus, retirez-la.

Corps étrangers

⚠ Ne mettez pas de métal et/ou de matériaux inflammables dans l'unité.

Cela pourrait entraîner un choc électrique et/ou un incendie.

Fonctionnement

⚠ Ne modifiez pas l'unité. Ne l'utilisez pas à d'autres fins que la fabrication de poteries.

N'utilisez pas une unité modifiée. N'utilisez pas l'unité à d'autres fins que le mélange et le malaxage de l'argile à poterie. Sinon, cela risque de causer un dysfonctionnement et/ou un accident.

⚠ Limites de l'utilisateur

Dans les établissements où plusieurs personnes utilisent cette unité, désignez une personne chargée de superviser l'utilisation du malaxeur. Ne laissez jamais une personne ne maîtrisant pas le fonctionnement de l'unité s'en servir. Tous ceux qui ont accès à l'utilisation du malaxeur doivent parfaitement connaître le manuel d'instructions.

⚠ Ne mettez jamais les mains dans la fente d'extraction de l'argile.

Ne mettez jamais les mains ou les doigts dans l'extrémité de la buse du malaxeur. Sinon, vous risquez de coincer vos mains et vos doigts, et de vous blesser.

⚠ MISE EN GARDE

Installation

⚠ Cette unité est lourde. Faites attention lors de la manipulation.

N'essayez pas de déballer cette unité vous-même. Sollicitez l'aide d'au moins trois personnes pour déballer et/ou déplacer cette unité. Une tension excessive risque de causer des blessures. Cette unité est lourde et la lâcher risque de causer des blessures.

Fonctionnement

⚠ Faites attention aux vêtements larges, aux accessoires et/ou aux cheveux longs.

Avant d'utiliser cette unité, veillez à retirer ou sécuriser les éléments qui pendent, comme les vêtements larges, les bijoux, les écharpes et autres. Les cheveux longs doivent également être attachés. Sinon, vous risquez de vous coincer dans les pièces en mouvement pendant le fonctionnement.

⚠ Faites attention lors de la manipulation du couvercle de trémie.

Faites attention à ne pas vous coincer les doigts, les mains et/ou les bras dans le couvercle de trémie. Tenez fermement la poignée et ouvrez/fermez lentement le couvercle. Ne lâchez pas la poignée lorsque vous ouvrez/fermez.

⚠ Lorsque vous n'utilisez pas l'unité, ouvrez la valve.

Lorsque vous n'utilisez pas l'unité ou n'avez pas besoin du désaéragement pendant le mélange, mettez en position ouverte la soupape de décharge d'aspiration, car du gaz pouvant être généré pendant le mélange, la pression risque de s'accumuler dans la trémie.

Cordon d'alimentation et prise

⚠ N'obstruez pas l'accès au cordon d'alimentation ou à la prise.

Sinon, vous ne pourrez pas débrancher facilement le cordon d'alimentation ou la prise en cas d'urgence.

⚠ Lorsque l'unité n'est pas utilisée, coupez l'alimentation.

Lorsque l'unité n'est pas utilisée pendant une longue période, ou s'il y a un risque d'orage, coupez l'alimentation et débranchez l'unité de la prise.

Entretien

⚠ Coupez l'alimentation et débranchez l'unité avant tout contrôle, ou si la situation le nécessite.

Avant de nettoyer, de contrôler, de régler ou de procéder à des opérations de remplacement, coupez l'alimentation et débranchez l'unité de la prise.

⚠ Ne versez jamais d'eau directement sur l'unité pour nettoyer.

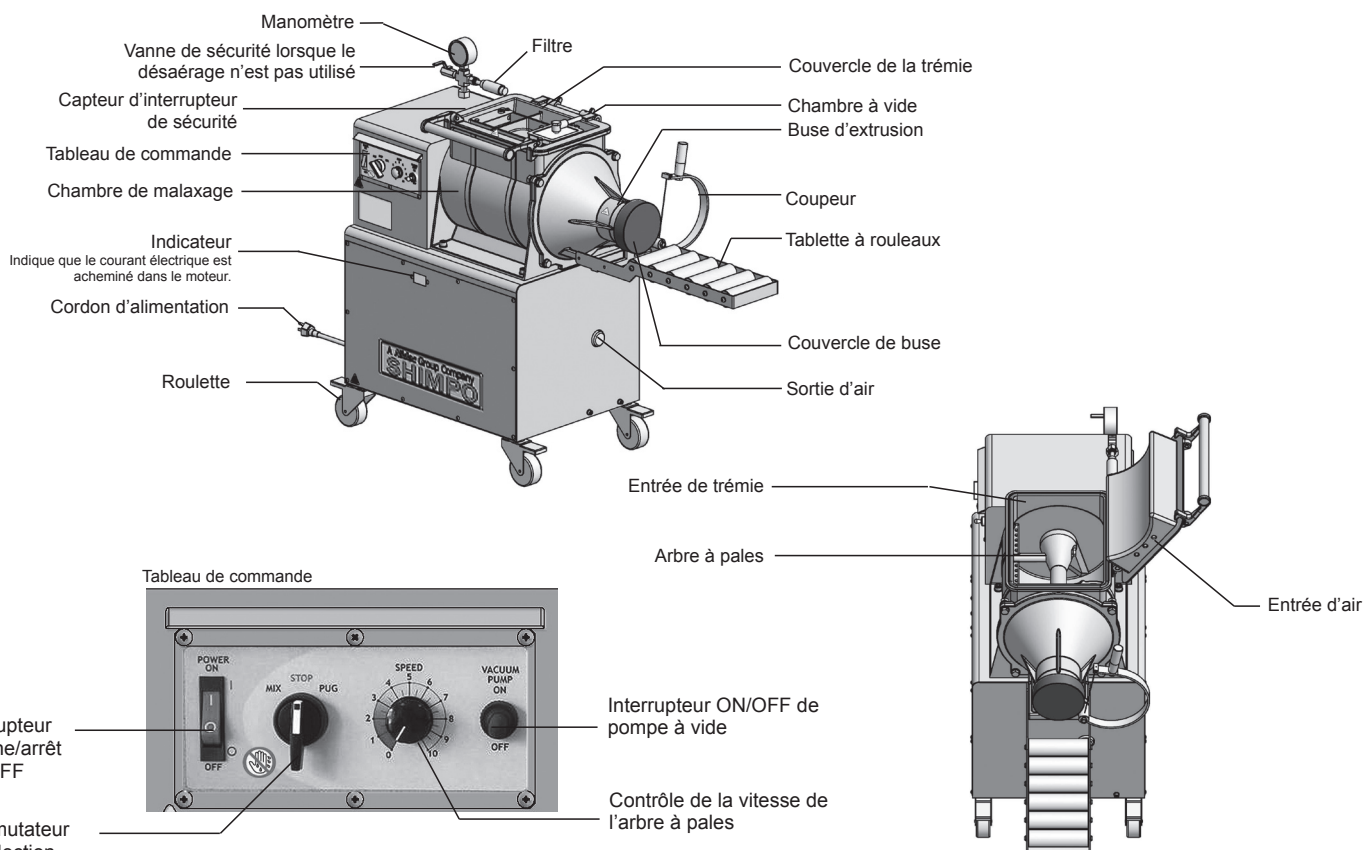
Ne versez jamais d'eau directement sur le malaxeur pour le nettoyer. Cela risque d'entraîner court-circuit et/ou un dysfonctionnement. Pour nettoyer, essuyez l'unité avec une éponge humide, une serviette etc.


* Seules l'arbre à pales et la buse peuvent être nettoyées directement à l'eau après avoir été complètement démontées.

Spécifications


Modèle	NVS-07
Alimentation	CA 230 V ~ /50 Hz
Puissance moteur	750 W
Pompe à vide	250 W
Température ambiante	+10 °C à 40 °C
Humidité ambiante	85 % ou moins (pas de condensation)
Altitude	Machine ne pouvant être utilisée au dessus de 1000 m
Dimensions externes	1 200 mm (y compris la plaque de soutien) x 420 mm x 890 mm
Poids	140 kg
Diamètre de sortie	Φ90 mm
Quantité d'argile	environ 25 kg
Capacité d'extrusion	330 kg/h hors temps de mélange

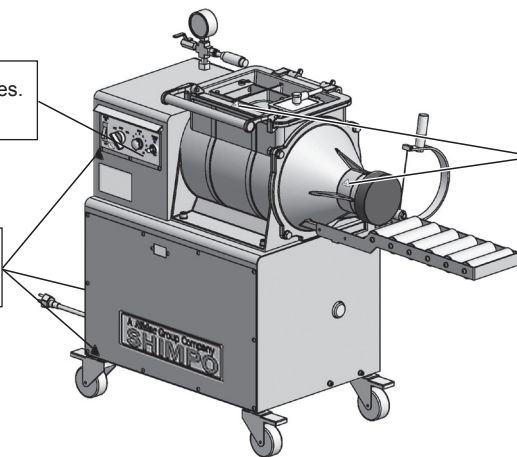
Liste des pièces



 Ne touchez pas avec les mains mouillées. Risque de choc électrique et de panne.

 **DANGER ÉLECTRIQUE**
Coupez l'alimentation avant l'entretien.

 **PIÈCES EN MOUVEMENT**
Risque de graves blessures.
N'approchez pas les mains.



Éléments inclus

Élément	Quantité	Remarques
Unité principale	1	
Plaque de soutien	1	
Couvercle avant	1	
Clé à deux extrémités	2	17 x 13 ; sert à serrer ou desserrer la buse et les vis
Clé hexagonale	1	M2.5 ; sert à remplacer le câble en acier inoxydable pour le coupeur
Manuel d'Instructions	1	
Certificat de garantie	1	

Installation et préparation

- Comme le NVS-07 est très lourd, prenez suffisamment de précautions lors du déballage pour que l'unité ne tombe pas.

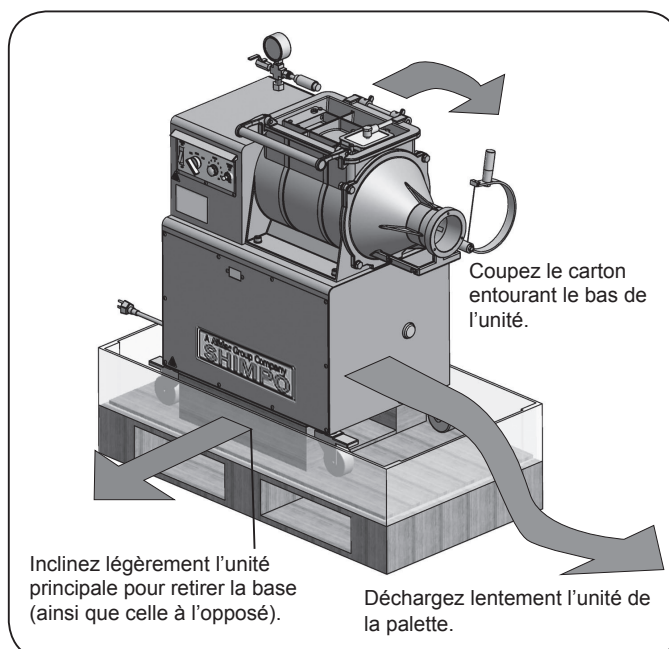


Danger

L'unité pèse environ 140 kg.
Sollicitez au moins trois personnes pour déballer cette unité.

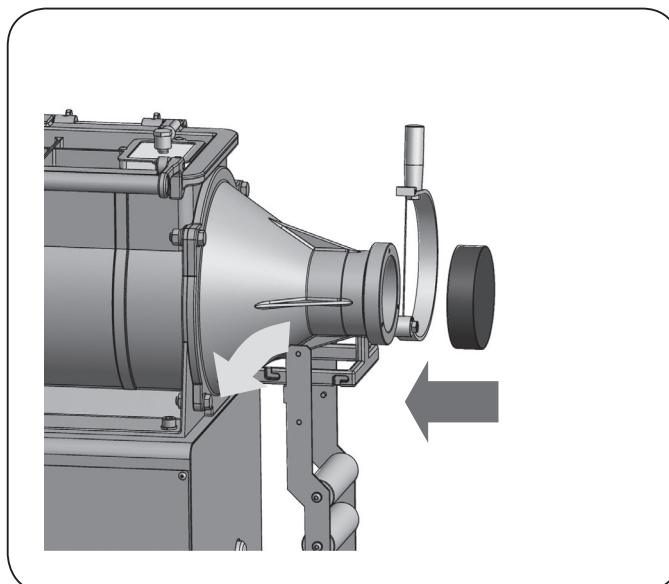
(Procédure de déballage)

- Retirez les cartons et les matériaux de protection placés autour de l'unité.
- Coupez le carton entourant le bas de l'unité.
- Inclinez légèrement l'unité pour retirer les deux bases qui soutiennent l'unité.
- Débloquez les quatre roues.
- Poussez lentement l'unité vers l'avant tout en la tenant fermement. Puis déchargez-la de la palette. La boîte à outils contient la tablette de porte-galet d'argile, des outils, le manuel d'instruction et le certificat de garantie.



(Installation)

- Installez l'unité. Dans un endroit au sol plat pour un fonctionnement homogène et avec les roues verrouillées.
- Placez la tablette à rouleaux dans la rainure et soutenez en dessous de la buse.
- Installez le couvercle avant sur la buse

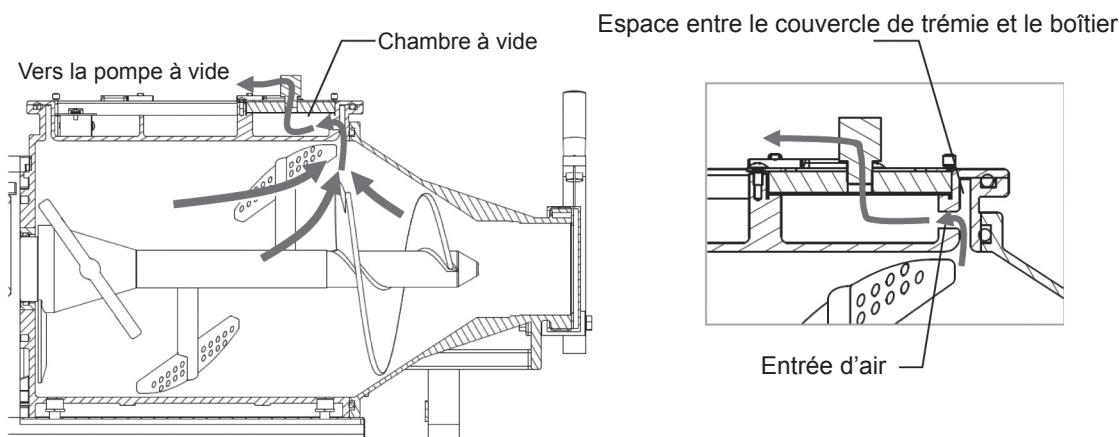


Avant l'utilisation

Les conditions de mélange varient en fonction du type d'argile, de sa dureté ainsi que de la quantité d'eau ajoutée. Pour recycler l'argile correctement, familiarisez-vous avec le fonctionnement de cette unité. Lisez bien le manuel d'instruction avant l'utilisation.

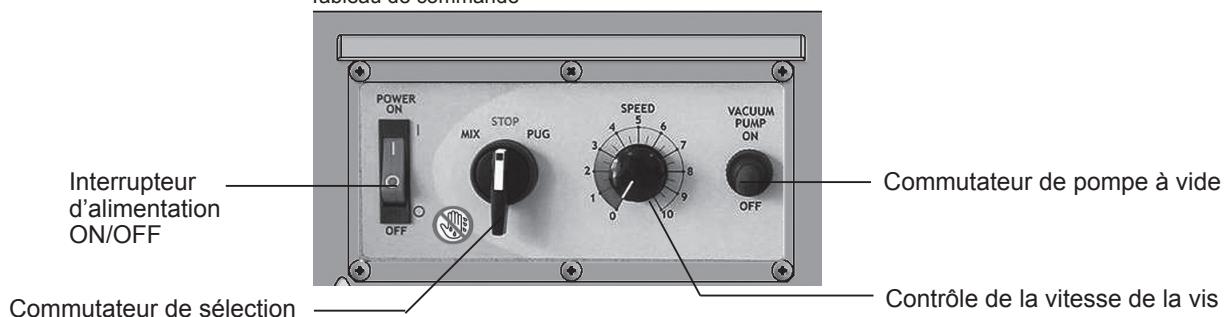
Principe de recyclage de l'argile

Les conditions de mélange varient en fonction du type d'argile, de sa dureté ainsi que de la quantité d'eau ajoutée. Pour recycler l'argile correctement, familiarisez-vous avec le fonctionnement de cette unité. Lisez bien le manuel d'instruction avant l'utilisation.



Fonctionnement

Tableau de commande



Fonction de chaque commutateur	
Interrupteur d'alimentation ON/OFF	Active/désactive l'alimentation. Coupe automatiquement en cas de surcharge électrique ou autre événement similaire.
Commutateur de sélection	MELANGER / MIX Mélange l'argile avec l'eau.
	ARRETER / STOP Arrête l'arbre à pales ; réinitialise toute erreur en cours
	EXTRUDER / PUG Extrait l'argile
Commande de vitesse de la vis	Contrôle la vitesse de la vis.
Commutateur de pompe à vide	Active/désactive la pompe à vide. (Lorsque le boîtier est vide, la pompe à vide risque d'être inutilisable. Pour couper la pompe à vide après l'opération d'aspiration puis la remettre en marche, ouvrez le robinet à vide pour atteindre une pression normale, puis activez la pompe à vide.)

Débranchez le cordon d'alimentation de la prise en cas d'urgence.

* Installez l'unité correctement de façon à pouvoir accéder immédiatement au cordon d'alimentation en cas d'urgence.

* Commencez toujours avec le commutateur de sélection en position ARRÊT lorsque vous activez l'unité. L'arbre à pales ne tourne pas si le commutateur de sélection est réglé sur MELANGER / MIX ou EXTRUDER/PUG. S'il est sur une de ces positions, remettez le sélecteur sur STOP, puis réglez sur MIX ou PUG.

* Si l'unité s'arrête à cause d'une surcharge ou si l'indicateur signale une erreur (par exemple, OL1), réglez le commutateur de sélection sur STOP.

Cela réinitialise l'erreur, vous permettant de relancer le fonctionnement.

Préparation pour l'utilisation



Avertissement

N'actionnez aucun commutateur avec les mains mouillées.

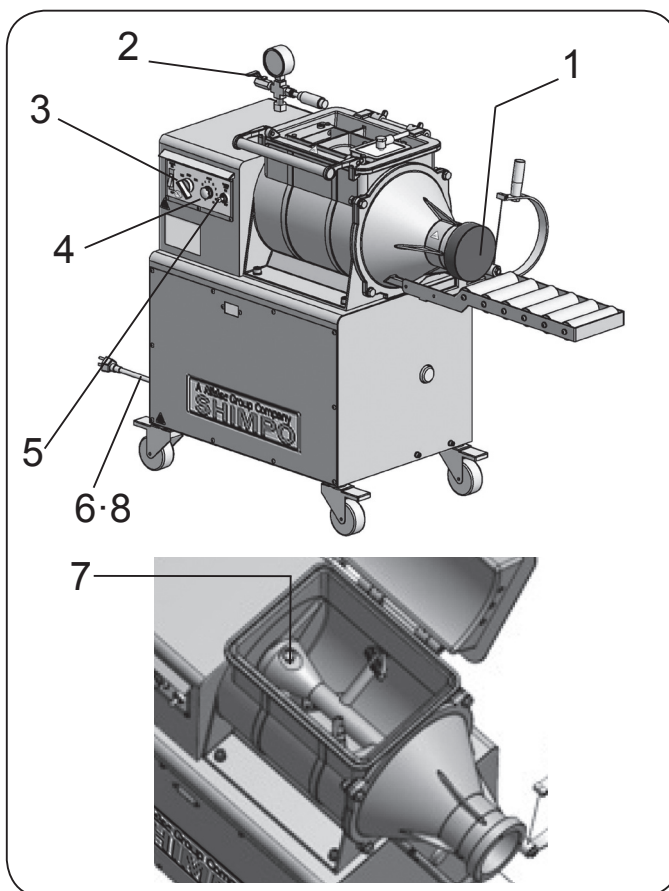
1. Fermez le couvercle de trémie.
2. Ouvrez valve.
3. Vérifiez que le commutateur d'alimentation est sur OFF.
4. Vérifiez que le commutateur de sélection est réglé sur STOP.
5. Vérifiez que le commutateur de la pompe à vide est sur OFF.
6. Vérifiez que le cordon d'alimentation est débranché.
7. Vérifiez que les boulons de fixation de l'arbre à pales sont bien serrés.

* Veillez à vérifier avant chaque utilisation. Si la vis se desserre, l'unité risque d'être endommagée.

Problèmes inattendus possibles lors du fonctionnement :

- Si le cordon d'alimentation et le capteur du commutateur de limitation sont endommagés, il y a un risque de choc électrique et/ou de court-circuit.
- Le capteur du commutateur de limitation et le cordon sont endommagés ; par exemple, « la vis ne tourne pas » ou « l'arbre à pales ne tourne pas », indépendamment de l'ouverture/la fermeture de la porte.
- Si les circuits internes sont endommagés, « la direction de rotation n'a pas pu être changée » ou « la vitesse de rotation n'a pas pu être réglée ».

Si ces problèmes surviennent pendant le fonctionnement, cessez d'utiliser l'unité et contactez votre revendeur ou notre bureau.



Procédure de fonctionnement

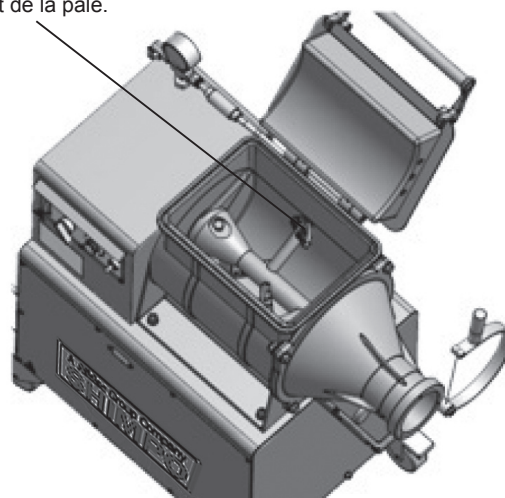
1. Remplissage de la chambre de mélange.

- Environ 22 kg d'argile peuvent être mélangés en une seule fois. Si la quantité est insuffisante, il faudra plus de temps pour recycler l'argile ou l'argile ne sortira pas. Il est important de remplir la chambre au niveau recommandé.
- Si l'argile se présente sous forme de gros blocs, commencez par les casser pour obtenir la taille appropriée. De l'argile très humide ne peut pas se recycler elle-même. Pour recycler de l'argile très humide, séchez-en une partie, puis recyclez-la ou ajoutez de l'argile sèche au mélange.

2. Alimenter en argile.

- N'ajoutez pas trop d'argile à la fois dans la trémie, sinon le couvercle de trémie risque de ne pas fermer. Ajoutez assez d'argile pour ne pas dépasser le haut de la pale.
- Lorsque vous mélangez, de l'espace peut se créer au fur et à mesure que le mélange devient compact. Après une courte période de mélange, ajoutez de l'argile pour remplir à nouveau jusqu'en haut de la pale.

Alimentez en argile jusqu'à un niveau vous permettant de voir le haut de la pale.



Mettez-en moins que la taille de votre poing (morceaux de 5 cm maximum).

Procédure de fonctionnement

3. Ajoutez de l'eau.

- Ajoutez une quantité d'eau appropriée.
- Si la préparation est trop consistante par manque d'eau, une surcharge peut survenir, causant l'arrêt de l'arbre à pales. Inversement, S'il y a trop d'eau, l'argile se ramollit, empêchant son mélange et son extraction. Le rajout d'eau devra se faire progressivement pour atteindre la consistance souhaitée.

Remarque)

N'actionnez pas la pompe à vide tant qu'il n'y a pas la quantité d'eau suffisante dans l'argile. Les composants en poudre risquent de boucher la chambre à vide si l'aspiration est activée trop tôt.

4. Fermez le couvercle de trémie.

- Fermez le couvercle de trémie. S'il y a de l'argile sur la surface périphérique du boîtier ou du couvercle de trémie, essuyez-la. Chaque surface doit être propre pour une bonne étanchéité. Appuyez sur la poignée afin que le couvercle de trémie se verrouille bien en place.

5. Processus de mélange

Activez le commutateur d'alimentation et réglez le commutateur de sélection sur MIX. Tournez lentement la commande de vitesse de la vis pour sélectionner de 6 à 8.

- S'il n'y a pas assez d'argile dans la trémie, arrêtez l'arbre à pales et ajoutez plus d'argile et d'eau. Pour arrêter la tarière, ramenez la commande de vitesse sur 0, réglez le sélecteur sur STOP puis désactivez le commutateur ON/OFF.
- Continuez à mélanger jusqu'à obtention de la consistance souhaitée. Ne pas faire forcer la machine par une consistance trop forte. Vérifiez sur l'indicateur que l'ampérage ne dépasse pas 3 A.

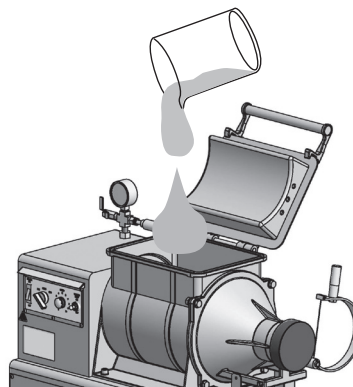
Remarque)

Ne réglez pas le commutateur de vitesse entre 0 et 3,5. Si l'arbre à pales tourne trop lentement, le moteur recevra trop de courant, provoquant l'arrêt de l'arbre à pales.

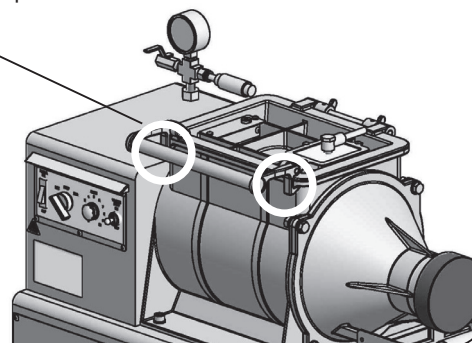
Remarque)

Le couvercle de trémie est doté d'un capteur de commutateur de limitation qui détecte si le couvercle est ouvert ou fermé. Si trop de vibrations sont générées à cause de trop gros morceaux d'argile, le capteur du commutateur de limitation risque de se déclencher, causant l'arrêt de la vis. Si le capteur du commutateur de limitation se déclenche trop souvent, le moteur risque de s'arrêter à cause d'une surcharge.

Ajoutez une quantité d'eau appropriée.



Appuyez sur la poignée afin que le couvercle de trémie se verrouille bien en place.



Avertissement

Ne touchez aucun commutateur avec les mains mouillées.



(1) ACTIVEZ le commutateur d'alimentation

(2) Réglez le commutateur de sélection sur MÉLANGER

(3) Commande de vitesse de la vis pour sélectionner de 6 à 8.

Remarque)

L'arbre à pales s'arrête automatiquement après 2 heures de fonctionnement en continu, pour éviter que le mélange d'argile génère trop de chaleur. Lorsque la minuterie arrête l'arbre à pales, « FIN » s'affiche sur le boîtier d'indication. Si cela se produit, ramenez le commutateur de sélection sur « ARRÊT » pour redémarrer le fonctionnement.

Procédure de fonctionnement

6. Vérification de l'état du mélange

- Mélangez pendant un moment et quand la valeur du courant électrique du moteur se stabilise, vérifiez l'état de l'argile. Si l'argile est trop dure, ajoutez de l'eau ; si elle est trop molle, ajoutez de l'argile dure.

Remarque)

L'argile durcit lorsqu'elle est désaérée.
Par conséquent, l'argile mélangée doit être plus molle que ce qui est Souhaité par l'utilisateur.

7. Processus d'aspiration (désaéragé)

- Lorsque l'argile atteint la consistance appropriée, retirez toute argile risquant de boucher l'entrée d'air. Vérifiez que les entrées d'air ne sont pas colmatées par de l'argile, sinon les indications du manomètre en seraient faussées et il y aurait le risque d'un mauvais désaéragé.
- Assurez-vous que le couvercle de la buse est propre, puis placez-le sur la buse.
- Fermez la soupape de décharge d'aspiration, puis ACTIVEZ la pompe à vide. Le relevé du manomètre à vide augmente progressivement. Le manomètre doit atteindre au moins 0,09 Mpa.
- Réglez le commutateur de sélection sur MIX. Réglez lentement la commande de vitesse de 6 à 8.

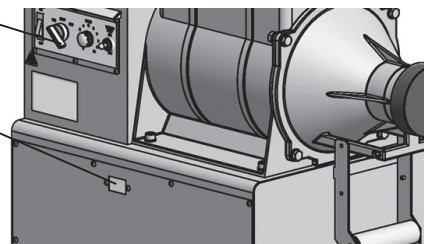
Remarque)

Si la pression d'aspiration augmente brusquement, l'espace entre la porte, près de l'entrée d'air, et le boîtier risque d'être bouché par de l'argile.
Retirez l'argile de cet espace. Si cela ne règle pas le problème, il y a peut-être trop d'argile en cours de mélange. Réduisez la quantité d'argile.

- Mélangez l'argile avec de l'eau et continuez à faire fonctionner la pompe à vide et la vis pendant environ trois minutes.

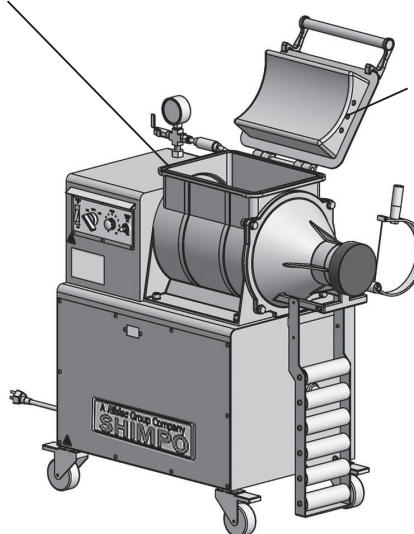
Réglez le commutateur de sélection sur STOP

Indicateur d'ampérage

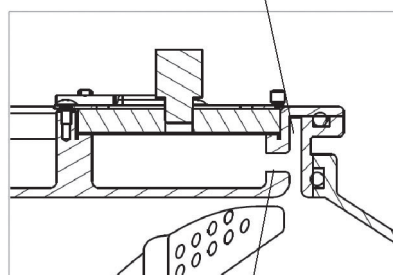


Nettoyez les surfaces du couvercle de trémie et du boîtier (y compris le joint).

Retirez l'argile entre le couvercle de trémie et le boîtier, ainsi que de l'entrée d'air.



Espace entre le couvercle de trémie et le boîtier



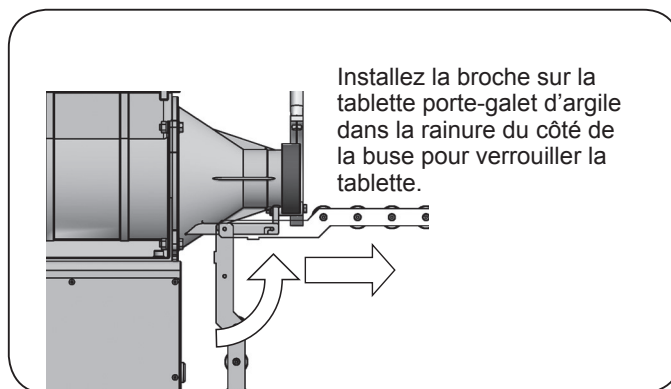
Entrée d'air

Si l'espace entre le couvercle de trémie, près de l'entrée d'air, et le boîtier est bouché par de l'argile, il n'y a pas de désaéragé.

Procédure de fonctionnement

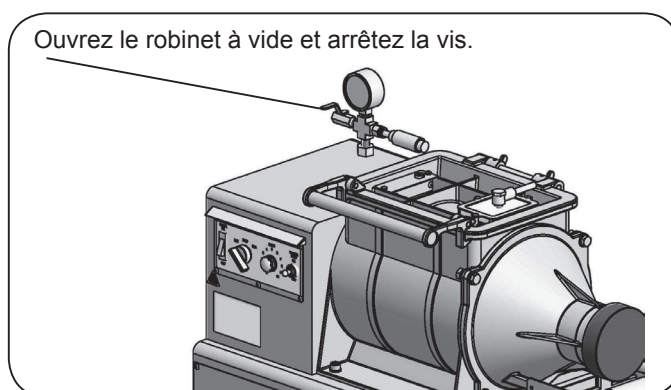
8. Processus d'extraction

- Installez la tablette à rouleaux.
- Après environ trois minutes de mélange avec l'aspiration, passez le commutateur de sélection de MIX à PUG.
Pendant ce temps, continuez à désaérer.
- Lorsque l'argile sort de la buse, retirez le couvercle avant.
- Coupez l'argile à la longueur appropriée.



9. Lorsque le malaxage est terminé

- Lorsqu'il n'y a plus d'argile sortant de la buse, ouvrez le robinet de décharge de pression et arrêtez l'arbre à pales.
- Afin de sécher l'intérieur de la pompe à vide, continuez à faire fonctionner la pompe à vide pendant environ une minute.



Remarque)

Si l'intérieur de la pompe à vide reste mouillé, elle risque de mal fonctionner sur le long terme.

- Une fois que la pompe à vide a fonctionné sans argile, arrêtez-la, **DÉSACTIVEZ** le commutateur d'alimentation, puis débranchez la prise d'alimentation.
- Installez le couvercle de la buse de manière sécurisée afin que l'argile à l'intérieur ne sèche pas.
- Si vous n'avez pas prévu d'utiliser l'unité pendant longtemps, nettoyez l'unité avant de la laisser au repos.

Remarque)

Si l'argile se trouvant dans la buse durcit, l'argile ne sortira pas lorsque le NVS-07 est utilisé et pourra bloquer l'arbre à pales et endommager l'appareil. Il est impératif de nettoyer la machine si l'argile a trop durci.

Remarque)

Pour fermer la tablette à rouleaux, mettez-la lentement à la verticale.

● Conseils pour un bon recyclage de l'argile ●

1. Tout de suite après l'ajout de l'eau, l'argile adhère à la vis, ce qui ralentit la vis. Cependant, au fur et à mesure que le mélange est effectué au ralenti, l'argile est mélangée avec l'eau de façon homogène.
2. S'il n'y a pas assez d'argile, il faudra plus de temps pour effectuer le mélange et pour réussir à extraire l'argile.
3. S'il y a trop d'argile, l'espace près de l'entrée d'air risque d'être bouché par de l'argile, empêchant le désaéragé. Si cela se produit, retirez une partie de l'argile pour obtenir la quantité voulue.
4. Si l'argile est trop dure après le désaéragé, commencez à désaérer lorsque l'argile est plus molle.

Affichage et description des indicateurs

● Affichage de l'indicateur

Affichage	Description	Remarques
0.00A	Indique le courant électrique acheminé dans le moteur. Il diffère du courant de consommation du NVS-07.	Référez-vous au tableau suivant pour comparer les valeurs du courant électrique et l'état de l'argile.
OL1	Erreur de surcharge : S'affiche lorsque l'argile est dure ou s'il y a trop d'argile dans la trémie.	Ajoutez de l'eau ou enlevez de l'argile, puis redémarrez le NVS-07. L'erreur affichée peut être réinitialisée en appuyant une fois sur le commutateur de sélection.
Er6	Erreur de contrôle de démarrage : S'affiche lorsque le commutateur de sélection est réglé sur MÉLANGER ou MALAXER.	Passez temporairement le commutateur de sélection sur STOP, puis réglez-le à nouveau sur MIX ou PUG.
LU	Cela redémarre le fonctionnement. S'affiche si la tension de l'alimentation est insuffisante ou si l'alimentation est coupée puis immédiatement réactivée.	Une fois que l'affichage de l'indicateur a disparu, ACTIVEZ l'alimentation.

● Valeurs du courant électrique en rapport à la fermeté de l'argile

Valeur du courant électrique	État de l'argile
2,0 A ou moins	L'argile colle à la vis, ce qui fait ralentir la vis.
2,0 - 2,3 A	L'argile est légèrement molle.
2,3 - 3,0 A	L'argile est au bon stade de durcissement.
3,0 - 3,2 A	L'argile est légèrement dure.
3,2 A ou plus	La vis est surchargée ; elle s'arrête lors du fonctionnement en continu.

Dépannage

Symptôme	Cause	Solution
L'argile ne sort pas.	Il n'y a pas assez d'argile.	Ajoutez de l'argile jusqu'à ce que le boîtier soit rempli.
	L'argile se trouvant dans le boîtier est trop molle.	Comme l'argile est molle, ajoutez de l'argile légèrement dure.
	L'argile se trouvant dans la buse est dure.	Retirez l'argile de la buse.
De l'argile avec une surface rugueuse sort de la fente d'extraction.	De l'argile sèche a adhéré à l'intérieur de la buse.	Nettoyez l'intérieur de la buse.
De l'argile est extraite lors de la rotation.	L'argile est molle.	Ajoutez de l'argile légèrement dure.
L'argile extraite a des trous.		
La vis s'arrête. Le disjoncteur se déclenche.	L'argile est dure pendant le mélange.	Ajoutez de l'eau pour ramollir l'argile.
	Un gros morceau d'argile est coincé entre la vis et le boîtier.	Retirez le morceau d'argile.
	Il y a trop d'argile.	Retirez de l'argile
L'argile se trouvant dans la buse durcit.	L'argile se trouvant dans la buse est sèche.	Retirez la buse pour la nettoyer.
La pression d'aspiration est basse. Le degré d'aspiration n'augmente pas.	L'espace entre le couvercle de trémie et le boîtier s'agrandit.	Utilisez un chiffon mouillé, ou similaire, pour nettoyer les surfaces de contact du boîtier et du couvercle de trémie.
	Le filtre est bouché.	Nettoyez le filtre.
L'argile n'est pas désaérée.	L'entrée d'air est bouchée par de l'argile.	Avant de désaérer, nettoyez l'entrée d'air et sa zone périphérique. Si l'entrée d'air est encore bouchée par de l'argile pendant le mélange, il y a trop d'argile. Retirez de l'argile.
	La durée du désaéragage est trop courte.	Rallongez le temps de mélange dans l'aspiration.
De l'argile sort dans la chambre à vide.	Il y a trop d'argile.	Retirez le couvercle de la chambre à vide (plaque acrylique) et retirez l'argile.
La pompe à vide ne fonctionne pas correctement.	Le boîtier de la trémie est déjà vide, empêchant l'activation de la soupape de la pompe.	La pompe à vide peut cesser de fonctionner lorsque le boîtier de la trémie est déjà vide. Ouvrez la soupape de décharge de pression pour pressuriser la trémie, puis lancez l'aspiration.
Le couvercle de trémie ne s'ouvre pas même si la soupape de décharge de pression est ouverte.	L'entrée d'air est bouchée par de l'argile, maintenant le boîtier de trémie vide.	Insérez une tige fine, ou similaire, depuis l'extrémité de la buse pour permettre à l'air de s'écouler dans le boîtier de trémie.

Entretien

Démontage

1. Réglez le commutateur de sélection sur MIX puis faites tourner l'arbre à pales jusqu'à ce que le boulon d'arrêt soit en haut.
2. Débranchez le cordon d'alimentation de la prise électrique.
3. Retirez la tablette à rouleaux.
4. Retirez la buse et nettoyez-en bien l'intérieur. Comme la buse est lourde, manipulez-la avec soin.
5. Retirez l'arbre à pales.
 - Desserrez le boulon d'arrêt sur l'arbre à pales et retirez-le.
 - Nettoyez bien l'arbre à pales. Nettoyez avec précaution les orifices de montage de l'arbre du moteur l'arbre à pales. Retirez l'argile se trouvant sur l'arbre du moteur avec un chiffon mouillé ou une éponge.
6. Nettoyez bien l'intérieur du boîtier de la trémie. Ne nettoyez pas l'intérieur de la trémie en rinçant à l'eau. Cela risque d'atteindre les dispositifs électriques.

Remontage

1. Nettoyez l'arbre du moteur et les orifices de montage de l'arbre à pales. S'il reste de l'argile, l'arbre à pales ne doit pas être installé ; des dommages risquent de se produire, empêchant tout assemblage et démontage futurs.
2. Installez l'arbre à pales sur l'arbre du moteur et serrez bien les boulons de montage de l'arbre à pales.
3. Nettoyez avec précaution la surface de montage de la buse du boîtier de la trémie, ainsi que la surface de montage du joint torique de la buse.
4. Fixez le joint torique sur la buse et remontez la buse sur le boîtier de la trémie.

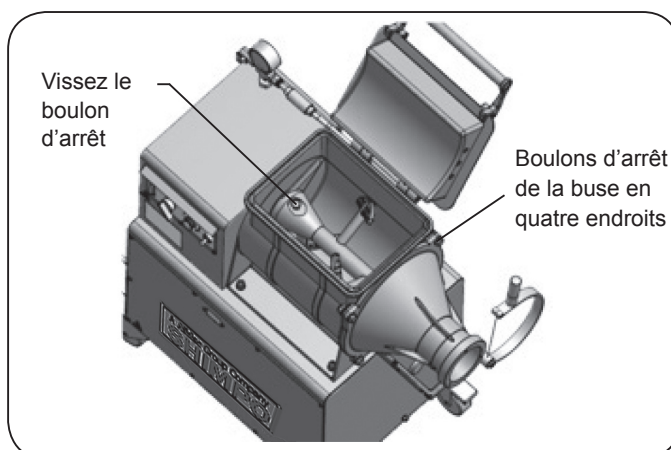
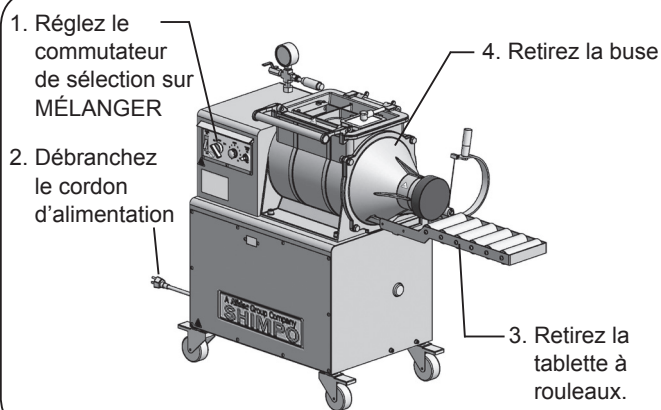
Test de fonctionnement

1. Branchez le cordon d'alimentation dans la prise électrique. Lancez le test de fonctionnement sans ajouter d'argile.
2. Fermez le couvercle de trémie.
3. ACTIVEZ le commutateur d'alimentation.
4. Réglez le commutateur de sélection sur MIX et écoutez pour repérer des sons de rotation provenant de l'arbre à pales.
5. Assurez-vous qu'il n'y a pas de vibrations, de cliquetements et de bruits anormaux dans l'unité principale.
6. Vérifiez que l'arbre à pales s'arrête lorsque le couvercle de trémie est ouvert.



Mise en garde

Veillez à débrancher le cordon d'alimentation avant de commencer à travailler. Ne touchez pas la prise d'alimentation avec les mains mouillées.



Remplacez le filtre

Si le filtre est bouché, empêchant le boîtier de trémie d'aspirer correctement, remplacez le filtre.

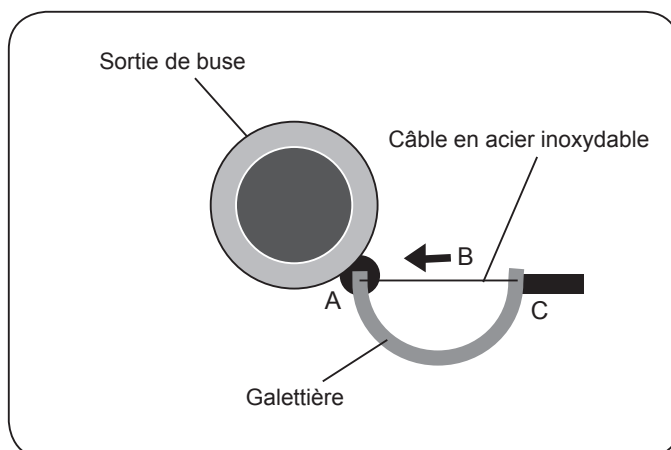
Entretien

Remplacement du câble en acier inoxydable (pour couper l'argile)

Si le câble en acier inoxydable est cassé, remplacez-le en procédant comme suit :

- (1) Retirez le câble en acier inoxydable cassé.
- (2) Sécurisez le câble au point A.
- (3) Pliez légèrement la galettière dans la direction B puis sécurisez le câble au point C.

- Achetez un câble en acier inoxydable disponible dans le commerce (corde à piano) de $\Phi 1,2$ mm.



Méthode de mise au rebut

- Contactez votre administration locale, car la méthode de mise au rebut varie selon les administrations locales.
- Ne démontez pas le NVS-07 lorsque vous le mettez au rebut.

MEMO

NIDEC-SHIMPO CORPORATION

:1 Terada Kotari, Nagaokakyo-city, Kyoto, 617-0833 Japan
Phone: 81-75-958-3608 FAX:81-75-958-3647

Copyright NIDEC-SHIMPO Corporation. All Rights Reserved.